

OPERATOR'S MANUAL

with Maintenance Information

(For JCPT2223DC)



WARNING

THE MANUFACTURER SHALL NOT BE HELD LIABLE IN CASE OF FAULTS OR ACCIDENTS DUE TO NEGLIGENCE, INCAPACITY, INSTALLATION BY UNQUALIFIED TECHNICIANS AND IMPROPER USE OF THE MACHINE

DO NOT OPERATE THIS MACHINE UNTIL YOU READ AND UNDERSTAND ALL THE DANGERS, WARNINGS AND CAUTIONS IN THIS MANUAL

Version of the Record

Version of the Record

Version Number	Create Date
SM0120111_Rev1.0	2020-03
SM0120111_Rev1.1	2020-09
SM0120111_Rev1.2	2021-02

Important

Read, understand and obey these safety rules and operating instructions before operating this machine.

Only trained and authorized personnel shall be permitted to operate this machine. This manual should be considered a permanent part of your machine and should remain with the machine at all times. If you have any questions, please call DINGLI Machinery.

Contents

	Page
Safety Rules	1
Legend	8
Decals	9
Specifications	14
Control panel	15
Pre-operation Inspection	20
Workplace Inspection	22
Function Tests	23
Operating Instructions	28
Transport and Lifting Instructions	35
Maintenance	38
Schematic	61
Inspection and Repair Log	64

Owners, Users and operators:

We appreciate your choice of our machine for your application. Our number one priority is user safety, which is best achieved by our joint efforts. We feel that you make a major contribution to safety if you, as the equipment users and operators:

- 1 Comply with employer, job site and governmental rules.
- 2 Read, understand and follow the instructions in this and other manuals supplied with this machine.
- 3 Use good safe work practices in a commonsense way.
- 4 Only have trained / certified operators, directed by informed and knowledgeable supervision, running the machine.

If there is anything in this manual that is not clear or which you believe should be added, please contact us.

Contact us:

Zhejiang Dingli Machinery Co., Ltd.

1255 Baiyun South Road. Leidian Town.

Deqing Zhejiang

China

Tel: +86-572-8681688

Fax: +86-572-8681690

Web: www.cndingli.com

E-mail: market@cndingli.com

Safety Rules



Danger

Failure to obey the instructions and safety rules in this manual will result in death or serious injury.

Do Not Operate Unless:

- You learn and practice the principles of safe machine operation contained in this operator's manual.
 - 1 Avoid hazardous situations.**
 - Know and understand the safety rules before going on to the next section.**
 - 2 Always perform a pre-operation inspection.
 - 3 Always perform function tests prior to use.
 - 4 Inspect the workplace.
 - 5 Only use the machine as it was intended.
- You read, understand and obey the manufacturer's instructions and safety rules— safety and operator's manuals and machine decals.
- You read, understand and obey employer's safety rules and worksite regulations.
- You read, understand and obey all applicable governmental regulations.
- You are properly trained to safely operate the machine.

Decal Legend

DINGLI product decals use symbols, color coding and signal words to identify the following:



Safety alert symbol—used to alert personnel to potential personal injury hazards. Obey all safety messages that follow this symbol to avoid possible injury or death.

▲ DANGER Red—used to indicate the presence of an imminently hazardous situation which, if not avoided, will result in death or serious injury.

▲ WARNING Orange—used to indicate the presence of a potentially hazardous situation which, if not avoided, could result in death or serious injury.

▲ CAUTION Yellow with safety alert symbol—used to indicate the presence of a potentially hazardous situation which, if not avoided, may cause minor or moderate injury.

NOTICE Blue without safety alert symbol—used to indicate the presence of a potentially hazardous situation which, if not avoided, may result in property damage.

Safety Rules

The relevant conditions of using the equipment

The surface of work ground should be flat and hard with no obstacles in air and the safety distance between the equipment and high-tension line is adequate.

The environment temperature should be within -20°C~40°C; Height above sea level ≤1000m.

The environment humidity ≤ 90%.

Electrical power: AC 110~230V±10%, 50~60Hz.

The aerial work platform may be used in closed rooms and outdoors.

Work cycle

The life of designed work cycle is no more than 40000 times.

Intended Use

This machine is intended to be used only to lift personnel, along with their tools and materials to an aerial work site.

Safety Sign Maintenance

Replace any missing or damaged safety signs. Keep operator safety in mind at all times. Use mild soap and water to clean safety signs. Do not use solvent-based cleaners because they may damage the safety sign material.

Operator

Only the trained and qualified are permitted to operate this machine. Always use safety belt and helmet when aerially working.

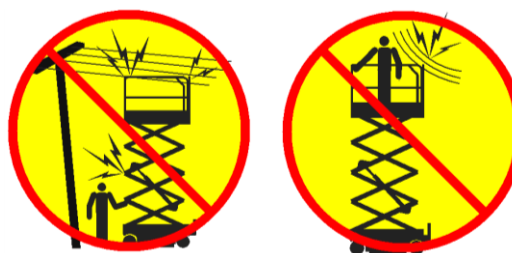
If you are subject to dizziness or seizures, or are bothered by heights, you must not operate this type of machinery.

An operator must not use drugs or alcohol that can change his/her alertness or coordination.

An operator on prescription or over-the-counter drugs needs medical advice on whether or not he/she can safely operate machines.

⚠ Electrocuting Hazard

This machine is not electrically insulated and will not provide protection from contact with or proximity to electrical current.



Maintain safe distances from electrical power lines and apparatus in accordance with applicable governmental regulations and the following chart.

Voltage Phase to Phase	Minimum Safe Approach Distance Meters
0 to 300V	Avoid Contact
300V to 50kV	3.05
50kV to 200kV	4.60
200kV to 350kV	6.10
350kV to 500kV	7.62
500kV to 750kV	10.67
750kV to 1000kV	13.72

Allow for platform movement, electrical line sway or sag and beware of strong or gusty winds.

Keep away from the machine if it contacts energized power lines. Personnel on the ground or in the platform must not touch or operate the machine until energized power lines are shut off.

Safety Rules

Do not operate the machine during lightning or storms.

Do not use the machine as a ground for welding.

⚠ Tip-over Hazard

Occupants, equipment and materials must not exceed the maximum platform capacity or the maximum capacity of the platform extension.

Maximum capacity – JCPT2223DC

Maximum occupants	4
Platform allowable maximum load	750kg

Work Area Safety

Do not raise the platform unless the machine is on a firm, level surface.

Do not drive over 0.5km/h with the platform raised.



Do not depend on the tilt alarm as a level indicator. The tilt alarm sounds on the chassis and in the platform when the machine is on a slope.

If the tilt alarm sounds:

Lower the platform. Move the machine to a firm, level surface. If the tilt alarm sounds when the platform is raised, use extreme caution to lower the platform.

For outdoor use machine, Do not raise the platform when wind speeds may exceed 12.5 m/s. If wind speeds exceed 12.5 m/s when the platform is raised, lower the platform and do not continue to operate the machine.

Do not operate the machine in strong or gusty winds. Do not increase the surface area of the platform or the load. Increasing the area exposed to the wind will decrease machine stability.



Do not use the platform controls to free a platform that is caught, snagged or otherwise prevented from normal motion by an adjacent structure. All personnel must be removed from the platform before attempting to free the platform using the ground controls.

Use extreme care and slow speeds while driving the machine in the stowed position across uneven terrain, debris, unstable or slippery surfaces and near holes and drop-offs.

Do not drive the machine on or near uneven terrain, unstable surfaces or other hazardous conditions with the platform raised.

Do not push off or pull toward any object outside of the platform.



Maximum allowable manual force

Model	Application	manual force	Maximum occupants
JCPT2223DC	Outdoor	400N	4
	Indoor	400N	4

Safety Rules

- Do not use the machine as a crane.
- Do not place or attach fixed or overhanging loads to any part of this machine.
- Do not push the machine or other objects with the platform.
- Do not contact adjacent structures with the platform.
- Do not alter or disable the limit switches.
- Do not tie the platform to adjacent structures.
- Do not place loads outside the platform perimeter.



- Do not alter or disable machine components that in any way affect safety and stability.
- Do not replace items critical to machine stability with items of different weight or specification.
- Do not modify or alter an aerial work platform without prior written permission from the manufacturer. Mounting attachments for holding tools or other materials onto the platform, toe boards or guard rail system can increase the weight in the platform and the surface area of the platform or the load.
- Do not place ladders or scaffolds in the platform or against any part of this machine.
- Do not transport tools and materials unless they are evenly distributed and can be safely handled by person(s) in the platform.
- Do not use the machine on a moving or mobile surface or vehicle.
- Be sure all tires are in good condition, air-filled tires are properly inflated and lug nuts are properly tightened.

▲ Crushing Hazard

- Keep hands and limbs out of scissors.
- Keep hands clear when folding rails.
- Use common sense and planning when operating the machine with the controller from the ground. Maintain safe distances between the operator, the machine and fixed objects.
- Maintain a firm grasp on the platform rail when removing the rail pins. Do not allow the platform guard rails to fall.

▲ Operation on Slopes Hazard

- Do not drive the machine on a slope that exceeds the slope and side slope rating of the machine.
- Slope rating applies to machines only in the stowed position.

Model	Maximum slope rating stowed position	Maximum side slope rating stowed position
JCPT2223DC	30% (17°)	30% (17°)

Note: Slope rating is subject to ground conditions and adequate traction.

▲ Fall Hazard

- The guard rail system provides fall protection. During operation, occupants in the platform must wear a full body harness with a lanyard attached to an authorized lanyard anchorage point. Attach only one (1) lanyard per lanyard anchorage point.



- Do not sit, stand or climb on the platform guard rails. Maintain a firm footing on the platform floor at all times.

Safety Rules



Do not climb down from the platform when raised.

Keep the platform floor clear of debris.

Close the entry gate before operating.

Do not operate the machine unless the guard rails are properly installed and the entry is secured for operation.

Do not enter or exit the platform unless the machine is in the stowed position.

▲ Collision Hazard



Be aware of limited sight distance and blind spots when driving or operating.

Be aware of extended platform position(s) when moving the machine.

Check the work area for overhead obstructions or other possible hazards.



Be aware of crushing hazards when grasping the platform guard rail.

Operators must comply with employer, job site and governmental rules regarding use of personal protective equipment.

Observe and use color-coded direction arrows

on the platform controls and platform decal plate for drive and steer functions.

Do not operate a machine in the path of any crane or moving overhead machinery unless the controls of the crane have been locked out and/or precautions have been taken to prevent any potential collision.

No stunt driving or horseplay while operating a machine.

Do not lower the platform unless the area below is clear of personnel and obstructions.



Limit travel speed according to the condition of the ground surface, congestion, slope, location of personnel, and any other factors which may cause collision.

▲ Component Damage Hazard

Do not use any battery or charger greater than 48V to charge the battery.

Do not use the machine as a ground for welding.

▲ Explosion and Fire Hazards

Do not operate the machine or charge the batteries in hazardous locations where potentially flammable or explosive gases or particles may be present.

▲ Damaged Machine Hazard

Do not use a damaged or malfunctioning machine.

Conduct a thorough pre-operation inspection

Safety Rules

of the machine and test all functions before each work shift. Immediately tag and remove from service a damaged or malfunctioning machine.

Be sure all maintenance has been performed as specified in this manual. Be sure all decals are in place and legible.

Be sure the operator's manual is complete, legible and in the storage container located in the platform.

⚠ Bodily Injury Hazard

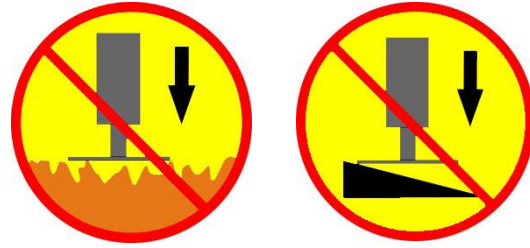
Always operate the machine in a well-ventilated area to avoid carbon monoxide poisoning.

Do not operate the machine with a hydraulic oil or air leak. An air leak or hydraulic leak can penetrate and/or burn skin.

Improper contact with components under any cover will cause serious injury. Only trained maintenance personnel should access compartments. Access by the operator is only advised when performing a pre-operation inspection. All compartments must remain closed and secured during operation.

⚠ Outrigger Safety

Do not lower the outriggers unless the machine is on a firm surface. **If the ground does not meet the requirements specified of the relevant regulations, sufficient ground preparation shall be carried out in advance to confirm its safety before operation.** Avoid drop-offs, holes, unstable or slippery surfaces and other possible hazardous conditions.



In case of special (soft or inclined) ground, the wood or steel pad suitable for the ground must be used under the support plate, and it must be firm and not cave in during the operation.

When using the backing plate, the backing plate must be of a solid structure that can fully withstand the pressure of the supporting leg. If the steel plate is set under the support plate, it should be used with small deformation.

When the auto level function is not being used and the outriggers are being lowered individually, the steer-end outriggers must be lowered first.

Do not raise the platform unless the machine is level. Do not set the machine up on a surface where it cannot be leveled using only the outriggers.

Do not raise the platform unless all four outriggers are properly lowered, the footpads are in firm contact with the ground and the machine is level.

Do not adjust the outriggers while the platform is raised.

Do not drive while the outriggers are lowered.

⚠ Battery Safety

⚠ Burn Hazard



Batteries contain acid. Always wear protective

Safety Rules

clothing and eye wear when working with batteries.

Avoid spilling or contacting battery acid.
Neutralize battery acid spills with baking soda and water.

⚠ Explosion Hazard



Keep sparks, flames and lighted tobacco away from batteries. Batteries emit explosive gas.

⚠ Electrocution/ Hazard

Avoid contact with electrical terminals.

⚠ pollute Hazard

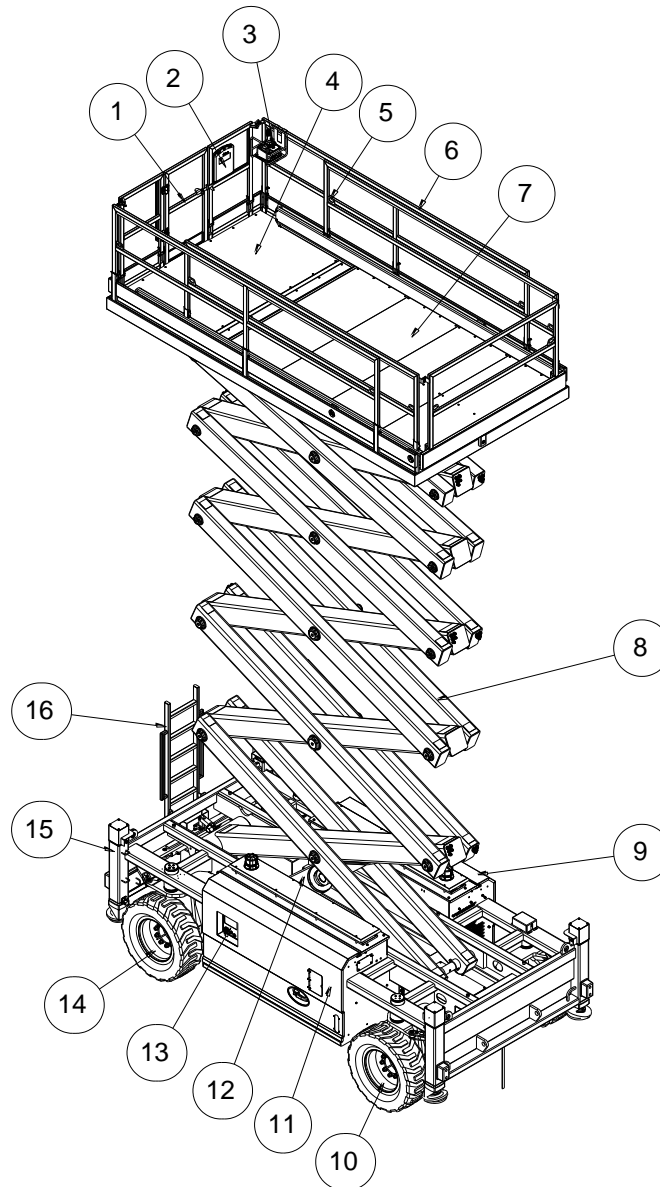
Dispose of old battery must comply with job site and governmental rules.

Lockout after Each Use

- 1 Select a safe parking location - firm level surface, clear of obstruction and traffic.
- 2 Lower the platform.
- 3 Turn the key switch to the off position and remove the key to secure from unauthorized use.
- 4 Push in the red Emergency Stop buttons to "off" position.
- 5 Disconnect the main power.
- 6 Chock the wheels.
- 7 Charge the batteries.

Legend

Legend



- | | |
|-----------------------------|---|
| 1 Platform entry gate | 9 Batteries, Hydraulic tanks (behind cover) |
| 2 Manual storage containers | 10 Rear wheel |
| 3 Platform controls | 11 Batteries, Hydraulic manifold (behind cover) |
| 4 Main Platform | 12 Lift Cylinder |
| 5 Lanyard anchorage point | 13 Ground controls |
| 6 Platform guard rails | 14 Front wheel |
| 7 Platform extensions | 15 Outrigger |
| 8 Scissor Arms | 16 Entry ladder |

Decals**Decal Inspection**

Use the pictures on the next page to verify that all decals are legible and in place.

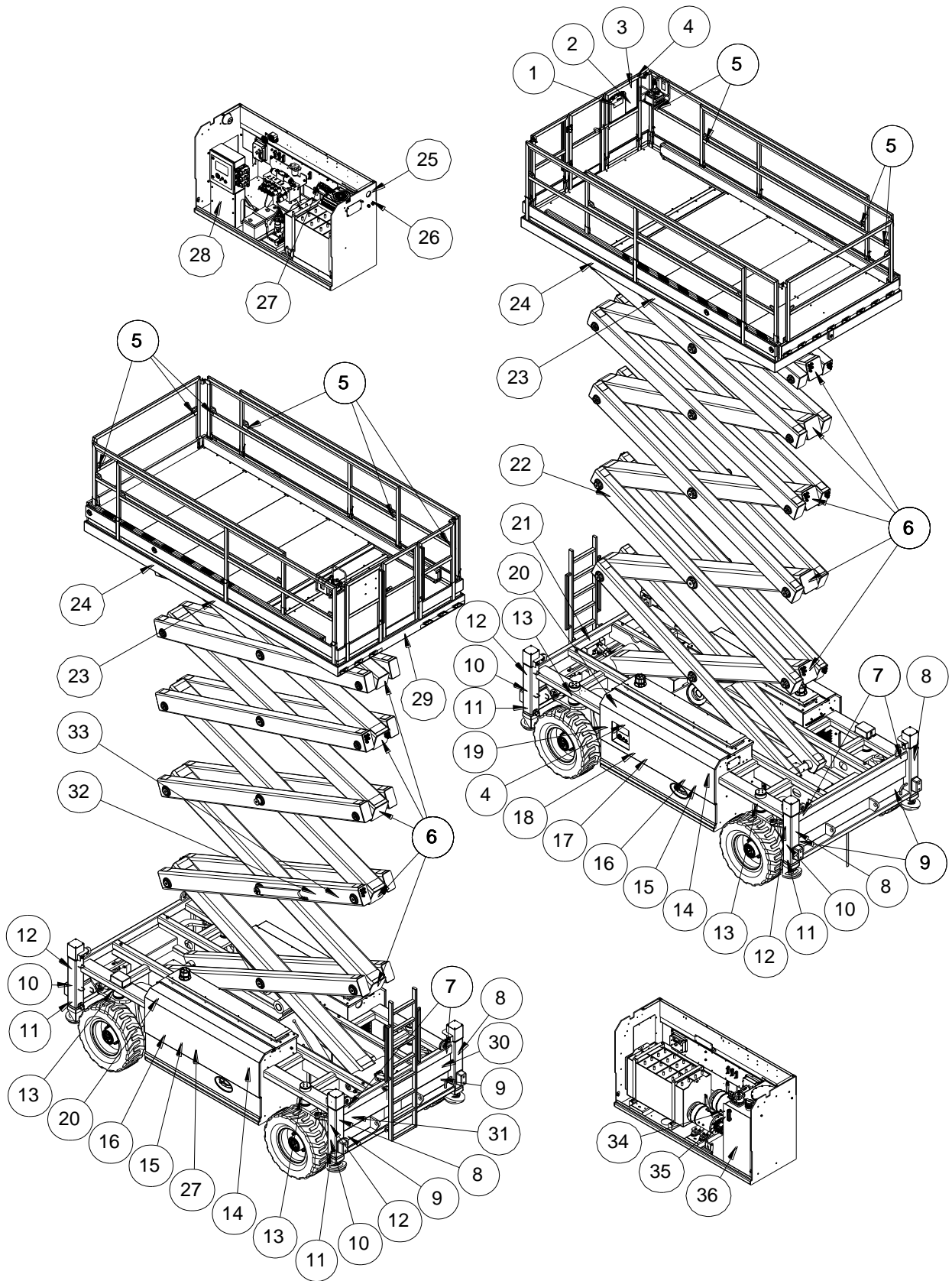
Below is a numerical list with quantities and descriptions.

No.	Part No.	Description	Qty.	Remark
1	09340001	Decal, Notice-Keep the manual with the machine	1	
2	09440119	Decal, Danger-Tip-over hazard, tilt-alarm	1	
3	09440001	Decal, Danger-General safety rules	1	
4	09340003	Decal, Instructions-Refer the operator to the instructions for use	2	
5	09440011	Decal, Label-Lanyard anchorage point	10	
6	09430007	Decal, Symbols-Crushing hazard	10	
7	09310049	Decal, Instructions-Lift point	4	
8	09420005	Decal, Warning-Collision hazard	4	
9	09310050	Decal, Instructions-Tie down point	4	
10	09410157	Decal, Symbols-Outrigger using warning	4	
11	09310140	Decal, Instructions-Maximum wheel load 4030kg	4	
12	09410069	Decal, Warning-Crushing hazard, outrigger	4	
13	09310142	Decal, Instructions-Maximum outrigger load 4030kg	4	
14	09540001	Decal, Label-CE	2	
15	09410001	Decal, Danger-Explosion/burn hazard	2	
16	09410140	Decal, Warning-Filling water warning	2	
17	09310148	Decal, Instructions-Emergency	1	
18	09410071	Decal, Warning-Injection hazard	1	
19	09410003	Decal, Warning-Inspected and operation properly	1	
20	09910043	Decal, Cosmetic-JCPT2223DC	2	
21	09410005	Decal, Danger-Do not alter or disable limit switch	1	
22	09330012	Decal, Instructions-Grease filling port	1	

Decals

No.	Part No.	Description	Qty.	Remark
23	09440007	Decal, Caution-Max. manual force 400N	2	
24	09640142	Decal, Cosmetic-JCPT2223DC	2	
25	09310219	Decal, Instructions-Battery charger	1	
26	09310217	Decal, Instructions-Power to platform	1	
27	09310349	Decal, Notice-Main power switch operation	2	
28	09310340	Decal, Symbols-Emergency operating instructions	1	
29	09440071	Decal, Label-Capacity 750kg	1	
30	09310305	Decal, Instructions-Grease filling port	1	
31	09310307	Decal, Instructions-Grease filling port	1	
32	09430028	Decal, Danger-Safety arm	1	
33	09330010	Decal, Instructions-Grease filling port	1	
34	09310053	Decal, Instructions-Lowest oil level	1	
35	09310052	Decal, Instructions-Highest oil level	1	
36	09310054	Decal, Instructions-Hydraulic	1	

Decals



Decals

1 09340001

NOTICE

KEEP THE OPERATION AND SAFETY MANUAL WITH THE MACHINE

4 09340003

Refer the operator to the instructions for use.

5 09440011

Restraint only 1 Occurrence

6 09430007

7 09310049

2 09440119

DANGER

Tip-over Hazard

The outriggers must be used when the ground angle is out of machine maximum allowed working angle.

Do not set up where it can't be leveled with outriggers.

If tilt alarm sounds, unit is on a severe slope. Death or serious injury could occur.

- Lower the platform.
- Move the machine to level surface.

8 09420005

WARNING

9 09310050

10 09410157

3 09440001

DANGER

Failure to read, understand and obey the operator's manual and the following safety rules will result in death or serious injury.

Improper Use Hazard

- Avoid hazardous situations.
- Always perform a pre-operation inspection.
- Always perform function tests prior to use.
- Inspect level plate.
- Only use the machine as it was intended.

Do not operate unless you are properly trained to safely operate this machine or you read, understand and obey:

- Manufacturer's instructions and safety rules.
- Operator's manuals and decals.
- Employer's safety rules.
- Applicable governmental regulations.

Electrocution Hazard

This machine is not electrically insulated and will not provide protection from contact with or proximity to electrical current.

Phase to phase	Minimum Safe Approach Distances	Meters
0 to 300 V	Avoid Contact	0.00 m
300 V to 50kV		0.05 m
50 kV to 200kV		4.60 m
200 kV to 350kV		6.10 m
350 kV to 500kV		7.62 m
500 kV to 750kV		10.67 m
750 kV to 1000kV		13.72 m

Tip-over Hazard

- Do not exceed rated load capacity.
- Do not raise platform unless machine is on a firm surface.
- Avoid drop-offs, holes and unstable or slippery surfaces.
- Do not raise platform unless machine is on a level surface.
- Do not drive machine on a slope that exceeds the maximum slip or side rating for the machine.
- Do not drive the machine on or near uneven terrain, unstable surfaces or other hazardous conditions with the platform raised.
- Do not push off or pull toward any object out side of the platform.
- Do not place or attach overhanging loads to any part of this machine.
- Use extreme care and slow speeds when driving the machine in slowed position across uneven terrain, debris, unstable or slippery surfaces and near holes and drop-offs.

Crushing Hazard

- Keep hands and limbs out of scissors. Use common sense and planning when operating machine with controls from ground.
- Maintain safe distances between operator, machine and fixed objects.

Collision Hazard

- Be aware of limited sight distance and blind spots when driving or operating.
- Check work area for overhead obstructions or other possible hazards.
- Be aware of crushing hazard when grasping platform guard rail.

Damaged Machine Hazard

- Do not use a damaged or malfunctioning machine.
- Be sure all maintenance has been performed as specified in the appropriate operator's manual.
- Be sure all decals are in place and legible.
- Be sure safety, operator's manual is complete, legible and in the storage container located on the platform.

Fall Protection

Manufacturer recommends that all persons in the platform wear a full body harness with a lanyard attached to an authorized lanyard anchorage point while operating this machine.

Fall Hazard

- Prior to operation, ensure all gates and rails are fastened and secured in their proper position.
- Do not sit, stand or climb on the platform guard rail.
- Maintain a firm footing on the platform at all times.
- Do not climb down from the platform when raised.

ALL PPEE must comply with applicable government regulations and must be inspected and used in accordance with the manufacturer's instructions.

11 09310140

Maximum Wheel Load 4030 kg

12 09410069

WARNING

Crushing Hazard

Lowering the outriggers or tires onto a person's foot can result in serious injury.

Keep clear of outriggers and tires before lowering.

14 09540001

13 09310142

Maximum Outrigger Load 4030 kg

16 09410001

DANGER

Explosion/Burn Hazard

Do not operate the machine or charge the batteries in hazardous locations where potentially flammable or explosive gases or particles may be present. Ignition of explosive gases or contact corrosive acid will cause death, burns or blindness.

Keep all open flames and sparks away. Wear personal protective equipment, including face shield, gloves and long sleeve shirt.

Read Manuals

Read all manuals prior to operation.

DO NOT OPERATE equipment if you do not understand the information in the manuals. Consult your supervisor, the owner or the manufacturer.

15 09410140

WARNING

- Make sure the liquid to be filled is distilled water;
- Fill with distilled water only when fully charged;
- Check the water level once a month for long-term storage and once a week for daily use;
- Low water level should be filled in time, otherwise the battery life will be seriously affected!

18 09410071

WARNING

Injection Hazard

Escaping fluid under pressure can penetrate skin, causing serious injury.

Relieve pressure before disconnecting hydraulic lines. Keep away from leaks and pin holes. Use a piece of cardboard or paper to search for leaks. Do not use hand.

Fluid injected into skin must be surgically removed within a few hours by a doctor familiar with this type of injury or gangrene will result.

19 09410003

WARNING

THIS MACHINE MUST NOT BE USED UNTIL IT IS INSPECTED AND OPERATING PROPERLY.

- Do not operate this machine unless you have been properly trained by a qualified person and authorized to operate this machine. Your training includes reading and understanding the safety, operating and maintenance instructions in manufacturer's manuals, knowing your employers work rules and applicable governmental regulations.
- Follow the instructions in the Operating Manual and applicable standards for daily, frequent, and annual inspections.
- Do not replace items (i.e., batteries, wheels, counterweight, etc.) with items of different weight or specification because this will affect stability of machine.
- Do not modify or change machine without written approval from manufacturer.
- Operate this machine with extreme caution. STOP all operation if malfunction occurs.
- Improper use of this machine could cause death or serious injury.

23 09440007

CAUTION

Max. Manual Force

400N

17 09310148

Emergency!

21 09410005

DANGER

Tip-over Hazard

Altering or disabling limit switches can result in machine tip-over. Machine tip-over will result in death or serious injury. Do not alter or disable limit switch(es).

20 09910043



Decals

24 09640142

JCPT2223DC

29 09440071



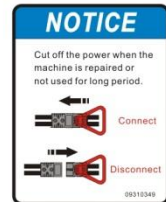
25 09310219

BATTERY CHARGER
09310219

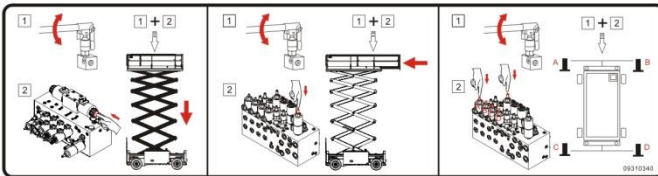
26 09310217

POWER TO PLATFORM
09310217

27 09310349



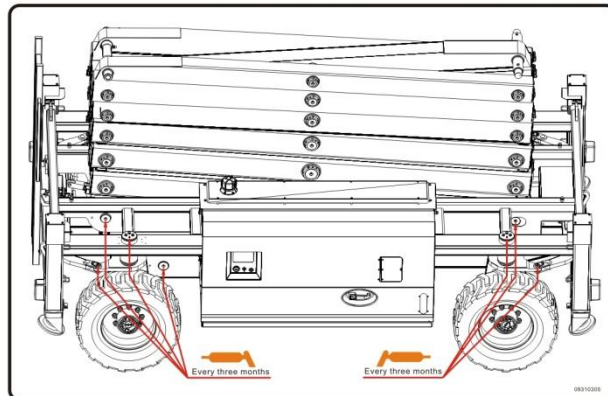
28 09310340



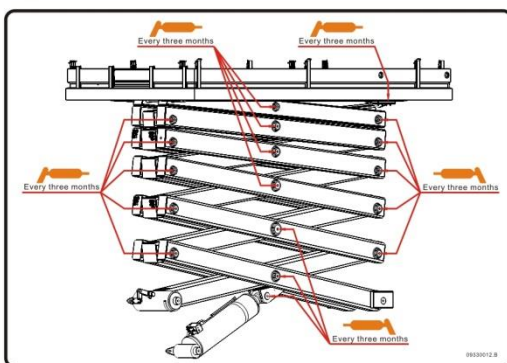
32 09430028



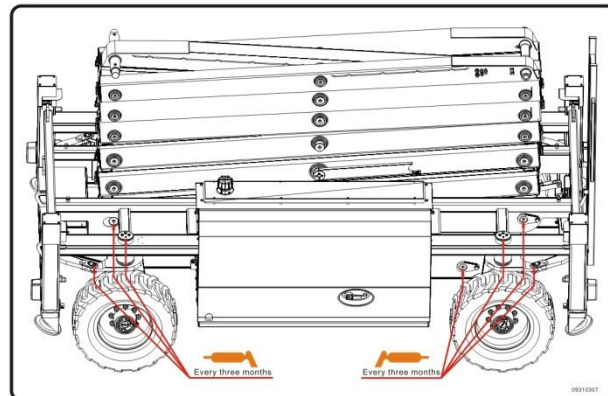
30 09310305



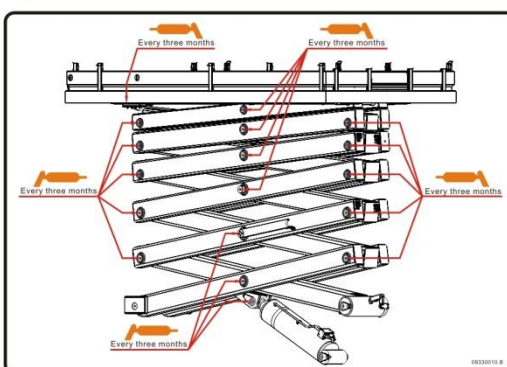
22 09330012



31 09310307



33 09330010



34 09310052



35 09310053



36 09310054

HYDRAULIC
09310054

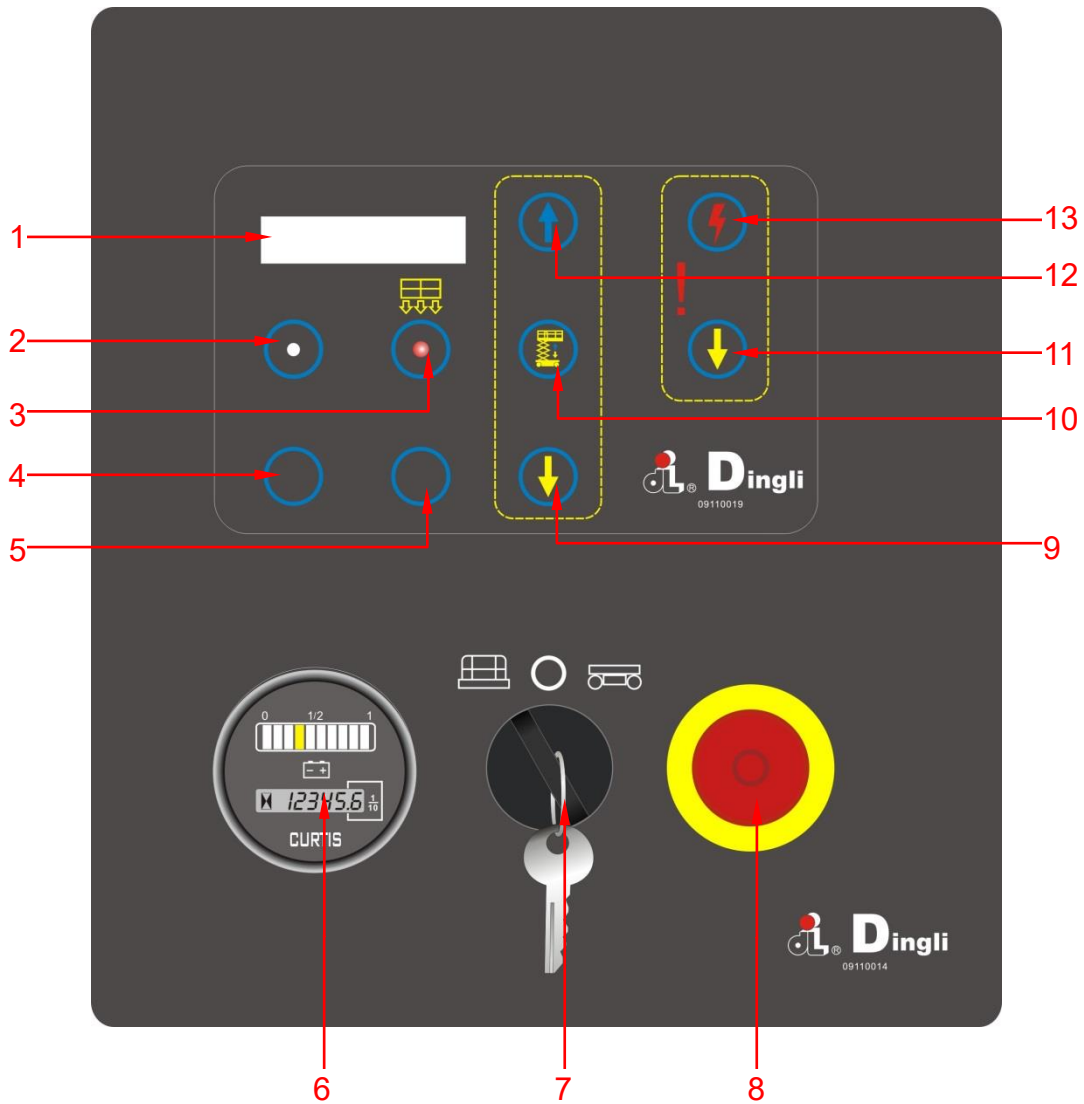
Specifications

Model JCPT2223DC

Height, working maximum	22m	Airborne noise emissions	<80 dB
Height, platform maximum	20m	Maximum sound level at normal operating workstations (A-weighted)	
Height, stowed maximum Rails up	3.86m	Vibration value does not exceed 2.5m / s ²	
Height, stowed maximum Rails folded	3.0m	Maximum slope rating , Stowed position	30%
Width	2.46m	Maximum side slope rating Stowed position	30%
Length, platform retracted	4.95m	Note: Slope rating is subject to ground conditions and adequate traction.	
Platform dimensions Platform length x width	4.59m×2.25m	Maximum working slope	X-2°, Y-3°
Platform extension length	2.7m	Drive speeds	
Maximum load capacity	750kg	Stowed, maximum	5.0 km/h
Maximum wind speed	12.5m/s	Platform raised, maximum	0.4 km/h
Wheelbase	3.3m	Floor loading information	
Turning radius (outside)	3.4m	Tire load, maximum	4030kg
Turning radius (inside)	1.25m	Outrigger load, maximum	4030kg
Ground clearance	40cm	Tire contact pressure	740kPa
Power source	630AH	Occupied floor pressure	11.8kPa
System voltage	48V	Note: Floor loading information is approximate and does not incorporate different option configurations. It should be used only with adequate safety factors.	
Weight	See Serial Label	Continuous improvement of our products is a DINGLI policy. Product specifications are subject to change without notice or obligation.	
Machine weights vary with option configurations			
Controls	Proportional		
AC outlet in platform	Standard		
Maximum hydraulic pressure (functions)	250bar		
Tire size	36×14-20		

Control Panel

Ground Control Panel



- | | |
|------------------------------|--|
| 1 Display | 8 Red Emergency Stop button |
| 2 Standby | 9 Platform down button |
| 3 Overload indicator light | 10 Lift function enable button |
| 4 Standby | 11 Emergency lowering down button |
| 5 Standby | 12 Platform up button |
| 6 Battery gauge & hour meter | 13 Emergency lowering down enable button |
| 7 Key switch | |

Control Panel

Ground Control Panel

- 1 Display
Diagnostic readout
- 2 Standby
- 3 Overload indicator light
Light on indicates when overloaded.
- 4 Standby
- 5 Standby
- 6 Battery gauge & hour meter
Battery gauge & hour meter is used to Display the Working Hours and Battery level.
- 7 Key switch
Turn the key switch to the platform position and the platform controls will operate.

Turn the key switch to the off position and the machine will be off. Turn the key switch to the base position and the ground controls will operate.
- 8 Red Emergency Stop button
Push in the red Emergency Stop button to the off position to stop all functions. Pull out the red Emergency Stop button to the on position to operate the machine.
- 9 Platform down button
Press this button and the platform will lower
- 10 Lift function enable button
Press this button to activate the lift function.
- 11 Emergency lowering down button
Press this button and the platform will lower
- 12 Platform up button
Press this button and the platform will lift.
- 13 Emergency lowering down enable button
Press this button to activate the Emergency down function.

Control Panel

Platform Control Panel



- | | |
|------------------------------------|--------------------------------|
| 1 Red Emergency Stop button | 9 Steer mode select button |
| 2 Drive function select button | 10 LED readout screen |
| 3 Power platform button | 11 Standby |
| 4 High speed select button | 12 Torque speed select button |
| 5 Horn button | 13 Lift function select button |
| 6 Standby | 14 Proportional control handle |
| 7 Outrigger function enable button | 15. Thumb rocker switch |
| 8 Outrigger auto level button | 16. Function enable switch |

Control Panel

Platform Control Panel

1 Red Emergency Stop button

Push in the red Emergency Stop button to the off position to stop all functions. Pull out the red Emergency Stop button to the on position to operate the machine.

2 Drive function select button

Press this button to activate the drive function.

3 Power platform button

Press and hold this button to activate the platform extendable / retractable function.

4 High speed select button

Press this button to activate the fast drive function.

5 Horn button

Press this button and the horn will sound.
Release the button and the horn will stop.

6 Standby

7 Outrigger function enable button

Press this button to activate the individual outrigger up/down function.

8 Outrigger auto level button

Press this button to activate the auto level function.

9 Steer mode select button

Press this button to select steer mode: FS mode (Front Steer mode), bS mode (Rear Steer mode).

10 LED readout screen

Diagnostic readout and steer mode.

11 Standby

12 Torque speed select button

Press this button to activate the slow drive function.

13 Lift function select button

Press this button to activate the lift function.

14 Proportional control handle

Lift function: Press and hold the function enable switch to enable the lift function on the platform control handle. Move the control handle in the direction indicated by the blue arrow and the platform will raise. Move the control handle in the direction indicated by the yellow arrow and the platform will lower. The descent alarm should sound while the platform is lowering.

Drive function: Press and hold the function enable switch to enable the drive function on the platform control handle. Move the control handle in the direction indicated by the blue arrow on the control panel and the machine will move in the direction that the blue arrow points. Move the control handle in the direction indicated by the yellow arrow on the control panel and the machine will move in the direction that the yellow arrow points.

Outrigger extendable / retractable function: Press and hold the function enable switch to enable the Outrigger extend/ retract function on the platform control handle. Move the control handle in the direction indicated by the yellow arrow and the outrigger will extend. Move the control handle in the direction indicated by the blue arrow and the outrigger will retract.

platform extendable / retractable function: Press and hold the function enable switch to enable the platform extendable / retractable function on the platform control handle. Move the

Control Panel

control handle in the direction indicated by the blue arrow and the platform will extend.

Move the control handle in the direction indicated by the yellow arrow and the platform will retract.

15 Thumb rocker switch

Press the thumb rocker switch in either direction to activate steer function.

16 Function enable switch

Press and hold the function enable switch to enable the drive/lift function.

Pre-operation Inspection



Do Not Operate Unless:

You learn and practice the principles of safe machine operation contained in this operator's manual.

- 1 Avoid hazardous situations.
- 2 Always perform a pre-operation inspection.**

Know and understand the pre-operation inspection before going on to the next section.

- 3 Inspect the workplace.
- 4 Always perform function tests prior to use.
- 5 Only use the machine as it was intended.

Fundamentals

It is the responsibility of the operator to perform a pre-operation inspection and routine maintenance.

The pre-operation inspection is a visual inspection performed by the operator prior to each work shift. The inspection is designed to discover if anything is apparently wrong with a machine before the operator performs the function tests.

The pre-operation inspection also serves to determine if routine maintenance procedures are required. Only routine maintenance items specified in this manual may be performed by the operator.

Refer to the list on the next page and check each of the items.

If damage or any unauthorized variation from factory delivered condition is discovered, the machine must be tagged and removed from service.

Repairs to the machine may only be made by a qualified service technician, according to the manufacturer's specifications. After repairs are completed, the operator must perform a pre-operation inspection again before going on to the function tests.

Scheduled maintenance inspections shall be performed by qualified service technicians, according to the manufacturer's specifications and the requirements listed in this manual.

Pre-operation Inspection

Pre-operation Inspection

- Be sure that the operator's manual are complete, legible and in the storage container located in the platform.
- Be sure that all decals are legible and in place. See Decals section.
- Check for hydraulic oil leaks and proper oil level. Add oil if needed. See Maintenance section.
- Check for battery fluid leaks and proper fluid level. Add distilled water if needed. See Maintenance section.

Check the following components or areas for damage, improperly installed or missing parts and unauthorized modifications:

- Electrical components, wiring and electrical cables
- Hydraulic hoses, fittings, cylinders and manifolds
- Battery pack and connections
- Drive motors
- Wear pads
- Tires and wheels
- Ground strap
- Limit switches, alarms and horn
- Nuts, bolts and other fasteners
- Platform overload components
- Platform entry gate
- Beacon (if equipped)
- Safety arm
- Platform extension(s)
- Scissor pins and retaining fasteners
- Platform control joystick
- Brake release components
- Pothole guard

Check entire machine for:

- Cracks in welds or structural components
- Dents or damage to machine
- Be sure that all structural and other critical components are present and all associated fasteners and pins are in place and properly tightened
- Be sure side rails are installed and rail pins and bolts are fastened.
- Be sure that the chassis trays are closed and latched and the batteries are properly connected.

Note: If the platform must be raised to inspect the machine, make sure the safety arm is in place. See Operating Instructions section.

Workplace Inspection



Do Not Operate Unless:

You learn and practice the principles of safe machine operation contained in this operator's manual.

- 1 Avoid hazardous situations.
- 2 Always perform a pre-operation inspection.
- 3 Inspect the workplace.**

Know and understand the workplace inspection before going on to the next section.

- 4 Always perform function tests prior to use.
- 5 Only use the machine as it was intended.

Fundamentals

The workplace inspection helps the operator determine if the workplace is suitable for safe machine operation. It should be performed by the operator prior to moving the machine to the workplace.

It is the operator's responsibility to read and remember the workplace hazards, then watch for and avoid them while moving, setting up and operating the machine.

Workplace Inspection

Be aware of and avoid the following hazardous situations:

- Drop-offs or holes
- Bumps, floor obstructions or debris
- Sloped surfaces
- Unstable or slippery surfaces
- Overhead obstructions and high voltage conductors
- Hazardous locations
- Inadequate surface support to withstand all load forces imposed by the machine
- Wind and weather conditions
- The presence of unauthorized personnel
- Other possible unsafe conditions

Function Tests



Do Not Operate Unless:

You learn and practice the principles of safe machine operation contained in this operator's manual.

- 1 Avoid hazardous situations.
- 2 Always perform a pre-operation inspection.
- 3 Inspect the workplace.
- 4 **Always perform function tests prior to use.**

Know and understand the function tests before going on to the next section.

- 5 Only use the machine as it was intended.

Fundamentals

The function tests are designed to discover any malfunctions before the machine is put into service.

The operator must follow the step-by-step instructions to test all machine functions.

A malfunctioning machine must never be used. If malfunctions are discovered, the machine must be tagged and removed from service.

Repairs to the machine may only be made by a qualified service technician, according to the manufacturer's specifications.

After repairs are completed, the operator must perform a pre-operation inspection and function tests again before putting the machine into service.

Function Tests

- 1 Select a test area that is firm, level and free of obstruction.
- 2 Be sure the battery pack is connected.
- 3 Turn on the main power

At the Ground Controls

- 4 Pull out the platform and ground red Emergency Stop button to the on position.
 - 5 Turn the key switch to ground control.
 - 6 Observe the display on the ground controls.
- ⊙ Result: The display will come on and display SYSTEM READY.

Test Emergency Stop

- 7 Push in the ground red Emergency Stop button to the off position.
- ⊙ Result: No functions should operate.
- 8 Pull out the red Emergency Stop button to the on position.

Test Up/Down Functions and Function Enable

A buzzer with different sound frequency is controlled in central system. The descent alarm sounds at 60 beeps per minute. The descent delay alarm sounds at 180 beeps per minute. The alarm that goes off when the machine is not level sounds at 180 beeps per minute. An optional automotive-style horn is also available.

- 9 Do not press the lift function enable button. Press and hold the platform up/down button.
- ⊙ Result: No function should operate.
- 10 Press and hold the lift function enable button. Press and hold the platform up button.

- ⊙ Result: The platform should rise.
- 11 Press and hold the lift function enable button. Press and hold the platform down button.
- ⊙ Result: The platform should lower the descent alarm should sound while the platform is lowering. The platform stop at the height is approximately 3.5 m from the ground. The descent delay alarm will sound.

Note: Be sure the area below the platform is clear of personnel and obstructions before continuing.

- 12 Press and hold the lift function enable button. Press and hold the platform down button.

- ⊙ Result: The platform should lower to end. The descent delay alarm should sound while the platform is lowering.

Test the Emergency Lowering

- 13 Activate the up function and raise the platform approximately 60 cm.
 - 14 Push in the red Emergency Stop button to the off position.
 - 15 Pull out the red Emergency Stop button to the on position.
 - 16 Press and hold the emergency lowering down enable button. Press and hold the emergency lowering down button.
- ⊙ Result: The platform should lower.
- 17 Turn the key switch to platform control.

At the Platform Controls

Test Emergency Stop

- 18 Push in the platform red Emergency Stop button to the off position.
- ⊙ Result: No functions should operate.

Function Tests

19 Pull the red Emergency Stop button out to the on position.

- ⊙ Result: The LED indicator light should come on.

Test the Horn

20 Push the horn button.

- ⊙ Result: The horn should sound.

Test Up/Down Functions and Function Enable

21 Do not hold the function enable switch on the control handle.

22 Slowly move the control handle in the direction indicated by the blue arrow, then in the direction indicated by the yellow arrow.

- ⊙ Result: No functions should operate.

23 Press the lift function select button.

24 Press and hold the function enable switch on the control handle.

25 Slowly move the control handle in the direction indicated by the blue arrow.

- ⊙ Result: The platform should raise.

26 Release the control handle.

- ⊙ Result: The platform should stop raising.

27 Press and hold the function enable switch. Slowly move the control handle in the direction indicated by the yellow arrow.

- ⊙ Result: The platform should lower. The descent alarm should sound while the platform is lowering.

Test the Steering

Note: When performing the steer and drive function test, stand in the platform facing the steer end of the machine.

28 Press the drive function select button. The indicator light should turn on.

29 Push the steer mode select button for steer FS mode (Front Steer mode).

30 Press and hold the function enable switch on the proportional control handle. Depress the thumb rocker switch on top of the proportional control handle in the direction identified by the blue triangle on the control panel.

- ⊙ Result: The front wheels should turn in the direction that the blue triangle points on the control panel.

31 Press and hold the function enable switch on the proportional control handle. Depress the thumb rocker switch in the direction identified by the yellow triangle on the control panel.

- ⊙ Result: The front wheels should turn in the direction that the yellow triangle points on the control panel.

32 Press the drive function select button. The indicator light should turn on.

33 Push the steer mode select button for steer FS mode (Rear Steer mode).

34 Press and hold the function enable switch on the proportional control handle. Depress the thumb rocker switch on top of the proportional control handle in the direction identified by the blue triangle on the control panel.

- ⊙ Result: The rear wheels should turn in the direction that the yellow triangle points on the control panel.

35 Press and hold the function enable switch on the proportional control handle. Depress the thumb rocker switch in the direction identified by the yellow triangle on the control panel.

- ⊙ Result: The rear wheels should turn in the direction that the blue triangle points on the control panel.

Function Tests

Test Drive and Braking

- 36 Press and hold the function enable switch on the proportional control handle.
- 37 Slowly move the proportional control handle in the direction indicated by the blue arrow on the control panel until the machine begins to move, then return the proportional control handle to the center position.
- ⊙ Result: The machine should move in the direction that the blue arrow points on the control panel, then come to an abrupt stop.
- 38 Press and hold the function enable switch on the proportional control handle.
- 39 Slowly move the proportional control handle in the direction indicated by the yellow arrow on the control panel until the machine begins to move, then return the proportional handle to the center position.
- ⊙ Result: The machine should move in the direction that the yellow arrow points on the control panel, then come to an abrupt stop.

Note: The brakes must be able to hold the machine on any slope it is able to climb.

Test Limited Drive Speed

- 40 Press the lift function select button. Raise the platform approximately 3.5 m from the ground.
- 41 Press the drive function select button.
- 42 Press and hold the function enable switch on the proportional control handle slowly move the proportional control handle to the full drive position.
- ⊙ Result: The maximum achievable drive speed with the platform raised should not exceed 12.5cm/s.
- ⊘ Result: If the drive speed with the platform raised exceeds 12.5cm/s, immediately tag and remove the machine from service.

Test the Tilt Sensor Operation

Note: Perform this test from the ground with the platform controller. Do not stand in the platform.

- 43 Fully lower the platform.
- 44 Drive both wheels on one side onto an 12cm block.
- 45 Raise the platform approximately 3.5 m from the ground.
- ⊙ Result: The platform should stop and the tilt alarm will sound at 180 beeps per minute. The platform controls LED readout should display LL.
- 46 Press the drive function select button.
- 47 Press and hold the function enable switch on the control handle.
- 48 Move the proportional control handle in the direction indicated by the blue arrow, then move the proportional control handle in the direction indicated by the yellow arrow.
- ⊙ Result: The drive function should not work in either direction.
- 49 Press the lift function enable button.
- 50 Lower the platform and drive the machine off the block.

Test the Outrigger System

- 51 Push and hold the auto level button.
- 52 Press and hold the function enable switch. Activate the proportional control handle in the direction indicated by the yellow arrow.
- ⊙ Result: The outriggers will extend and level the machine. A beep will sound when the machine is level.
- 53 Push and hold the auto level button.
- 54 Press and hold the function enable switch. Activate the proportional control handle in the direction indicated by the blue arrow.

Function Tests

- ⊙ Result: The outriggers should retract and return to the stowed position. A beep will sound when the machine is in the stowed position.

Test Platform extendable / retractable Functions

- 55 Push and hold the Power platform button.
Press and hold the function enable switch.
Activate the proportional control handle in the direction indicated by the blue arrow
- ⊙ Result: The platform should extend.
- 56 Push and hold the Power platform button.
Press and hold the function enable switch.
Activate the proportional control handle in the direction indicated by the yellow arrow.
- ⊙ Result: The platform should retract.

Operating Instructions



Do Not Operate Unless:

- You learn and practice the principles of safe machine operation contained in this operator's manual.
 - 1 Avoid hazardous situations.
 - 2 Always perform a pre-operation inspection.
 - 3 Inspect the workplace.
 - 4 Always perform function tests prior to use.
 - 5 Only use the machine as it was intended.**

Fundamentals

This machine is a self-propelled hydraulic lift equipped with a work platform on the scissor mechanism. Vibrations emitted by these machines are not hazardous to an operator in the work platform. The machine can be used to position personnel with their tools and supplies at position above ground level and can be used to reach work areas located above and over machinery or equipment.

A full and detailed implementation of EN ISO 13849-1/2 is correctly applied on our MEWP design. SISTEMA, a software tool for PL Calculation Tool, is also used to perform some relatively straightforward calculations on subsystem to determine the overall PL of the system. Reliability data, diagnostic coverage [DC], the system architecture [Category], common cause failure and, where relevant, requirements for software are used to assess the PL to comply with PLr of SRP/CS in Clause 5.11 of EN 280.

The Operating Instructions section provides instructions for each aspect of machine operation.

It is the operator's responsibility to follow all the safety rules and instructions in the operator's manual.

Using the machine for anything other than lifting personnel, along with their tools and materials, to an aerial work site is unsafe and dangerous.

Only trained and authorized personnel should be permitted to operate a machine. If more than one operator is expected to use a machine at different times in the same work shift, they must all be qualified operators and are all expected to follow all safety rules and instructions in the operator's manual. That means every new operator should perform a pre-operation inspection, function tests, and a workplace inspection before using the machine.

Operating Instructions

Emergency Stop

Push in the red Emergency Stop button to the off position at the ground controls or the platform controls to stop all machine functions.

Repair any function that operates when either red Emergency Stop button is pushed in.

Operation from Ground

- 1 Turn the key switch to ground control.
- 2 Pull out the platform and ground red Emergency Stop button to the on position.
- 3 Be sure the battery pack is connected before operating the machine.

To Position Platform

- 1 Press the lift function enable button.
- 2 Press the platform up/down button to activate the up function or the down function.

Drive and steer functions are not available from the ground controls.

Operation from Platform

- 1 Turn the key switch to platform control.
- 2 Pull out the platform and ground red Emergency Stop button to the on position.
- 3 Be sure the battery pack is connected before operating the machine.

To Position Platform

- 1 Press the lift function select button.
- 2 Press and hold the function enable switch on the control handle.
- 3 Activate the proportional control handle in the desired direction.

To Steer

- 1 Press the drive function select button.

- 2 Press and hold the function enable switch on the control handle.
- 3 Push the steer mode select button for steer mode (FS. bS)
- 4 Turn the steer wheels with the thumb rocker switch located on the top of the control handle.

To Drive

- 1 Press the drive function select button.
- 2 Press and hold the function enable switch on the control handle.
- 3 Increase speed: Slowly move the control handle off center.

Decrease speed: Slowly move the control handle toward center.

Stop: Return the control handle to center or release the function enable switch.

Use the direction arrows on the platform controls to identify the direction the machine will travel.

Machine travel speed is restricted when the platform is raised.

Drive speed select

The drive controls can operate in two different drive speed modes. When the torque speed select button light is on, slow drive speed mode is active. When the High speed select button light is on, fast drive speed mode is active.

Driving on a slope

Determine the slope and side slope ratings for the machine and determine the slope grade.

Maximum slope rating, stowed position 30%,
Maximum side slope rating, stowed position 30°.

Note: Slope rating is subject to ground conditions and adequate traction.

Press the drive speed select button to the fast

Operating Instructions

drive speed mode.

To determine the slope grade

Measure the slope with a digital inclinometer or use the following procedure.

You will need:

Carpenter's level

Straight piece of wood, at least 1 m long
tape measure

Lay the piece of wood on the slope

At the downhill end, lay the level on the top edge of the piece of wood and lift the end until the piece of wood is level.

While holding the piece of wood level, measure the distance from the bottom of the piece of wood to the ground.

Divide the tape measure distance (rise) by the length of the piece of wood (run) and multiply by 100.

Example:

Run = 3.6 m

Rise = 0.3 m



$$0.3 \text{ m} \div 3.6 \text{ m} = 0.083 \times 100 = 8.3\%$$

If the slope exceeds the maximum slope or side slope rating, the machine must be winched or transported up or down the slope. See Transport and Lifting section.

To Extend and Retract Platform

- 1 Push and hold the Power platform button. Press and hold the function enable switch. Activate the proportional control handle in the direction indicated by the blue arrow
- 2 Push and hold the Power platform button. Press and hold the function enable switch. Activate the proportional control handle in the direction indicated by the yellow arrow.

Operation from Ground with Controller

Maintain safe distances between operator, machine and fixed objects.

Be aware of the direction the machine will travel when using the controller.

Outrigger Operation

- 1 Position the machine below the desired work area.
- 2 Push and hold the outrigger auto level button.
- 3 Press and hold the function enable switch. Activate the proportional control handle in the direction indicated by the yellow arrow. The outriggers will extend and level the machine. A beep will sound when the machine is level.

The indicator light on the lift function enable button will turn on when one but not all outriggers are down. All drive and lift functions are disabled.

The indicator lights on the lift function enable button and on the individual outrigger buttons will turn off when all the outriggers are in firm contact with the ground.

The drive function is disabled while the outriggers are down.

To control individual outrigger

- 1 Push and hold one or more outrigger function enable buttons.
- 2 Press and hold the function enable switch. Activate the proportional control handle in the direction indicated by the yellow arrow. The outriggers will extend and level the machine.

WARNING Cannot use the outrigger directly on uneven surface, soft ground, pit

Operating Instructions

edges and slopes greater ground, To avoid the risk of machine tipping, casualties and equipment damage. If it must be used on the above ground, be sure to use wood or steel pad adapt to the ground, and make sure it is firm.

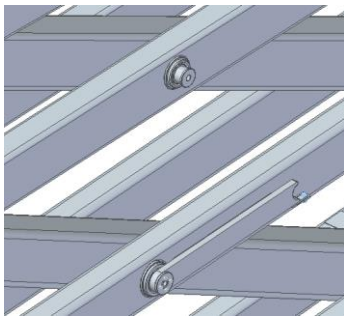
Emergency Lowering

- 1 Turn the key switch to ground control.
- 2 Press and hold the emergency lowering down enable button.
- 3 Press and hold the emergency lowering down button.

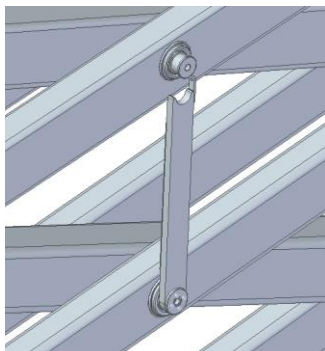
How to use the Safety Arm

The safety arm side of the scissor system needs to be used for maintenance work. This safety arm relief the lifting cylinder and they hold the working platform safe.

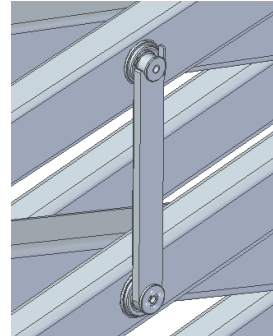
- 1 Raise the platform until the distance of the two sets of scissor at least 0.9m.



- 2 Remove the screw and rotate upward to a vertical position



- 3 Lower the platform until the safety arm rests securely on the shaft. Keep clear of the safety arm when lowering the platform.



⚠ DANGER Don't engage the safety arm unless unload the platform.

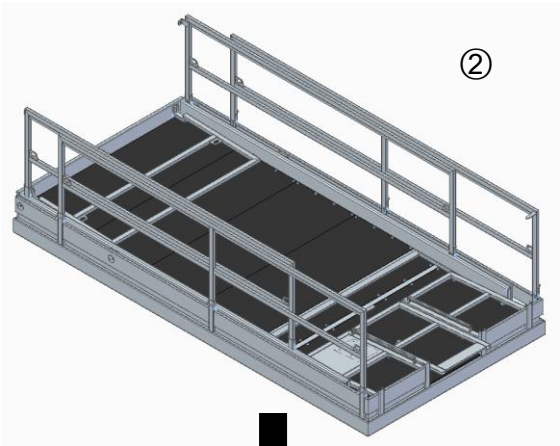
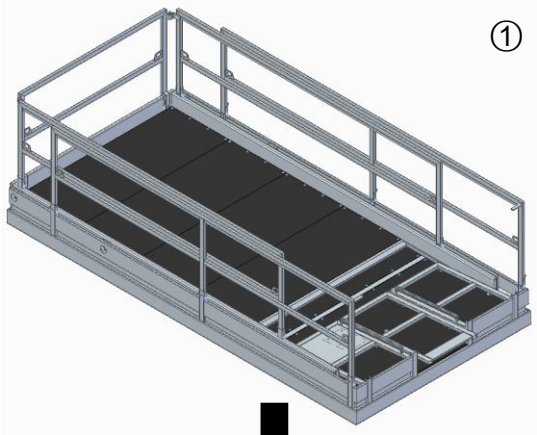
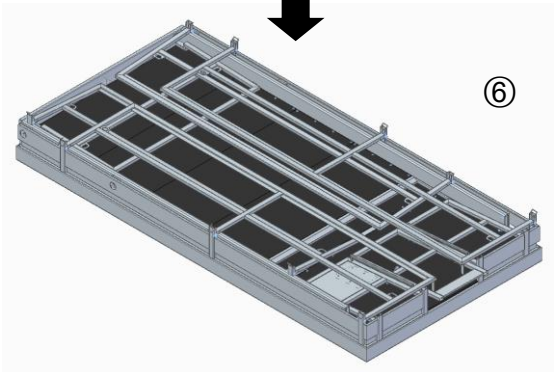
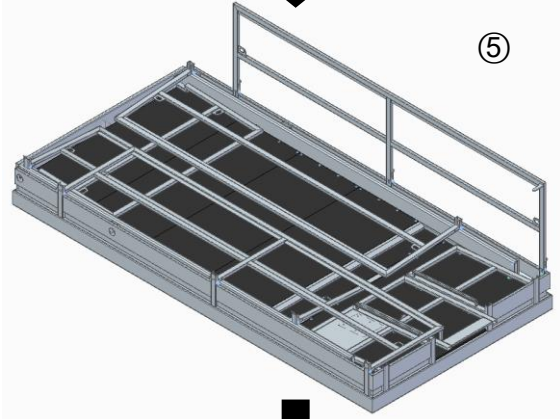
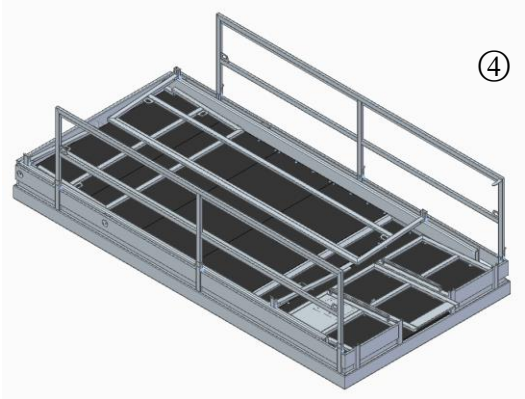
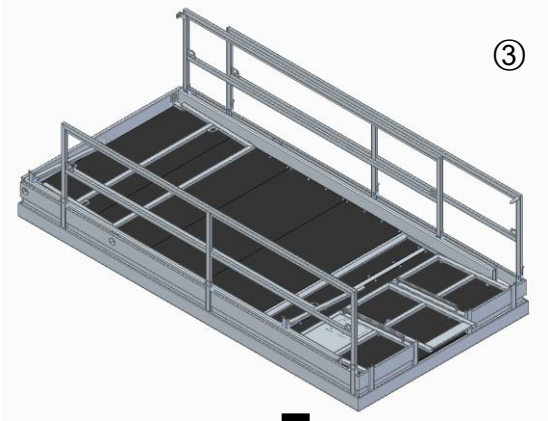
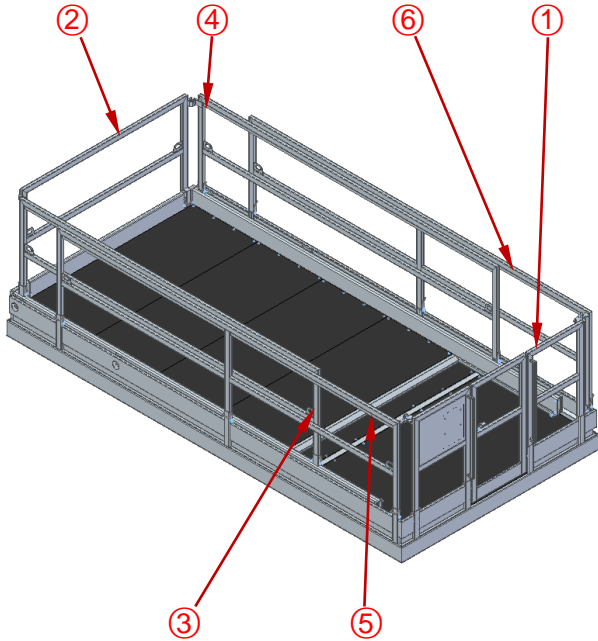
⚠ WARNING Using this safety arm is necessary during operations near the scissor system if the platform is lifted!

How to Fold Down the Guardrails

The platform railing system consists of three fold down rail section for the extension deck and three sections for the main deck. All sections are held in place by four latches.

- 1 Fully lower the platform and retract the platform extension.
- 2 Remove the platform controls.
- 3 Opening the latches in the corners the rails have to be folded in correct order of the numbering.

Operating Instructions



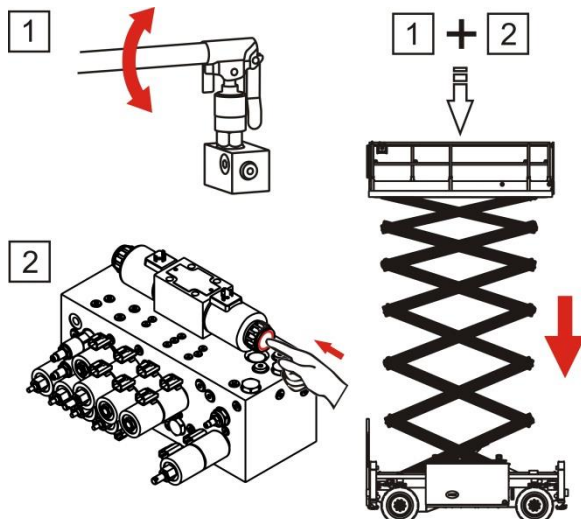
Operating Instructions

How to Raise the Guardrails

Follow the fold down instructions but in reverse order.

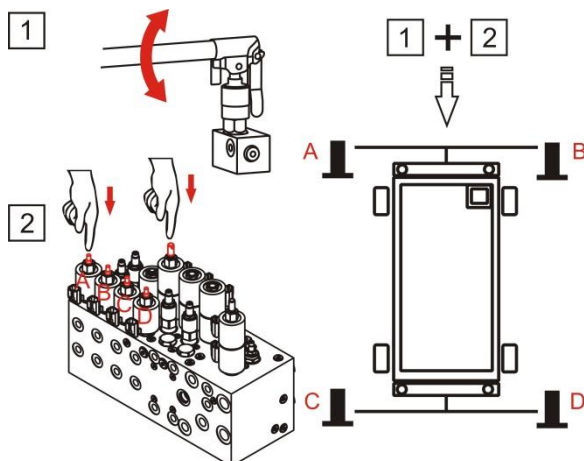
Emergency operating with hand pump

Emergency Lowering



- 1 Unplug the lever and put it into the hand pump (1).
- 2 Press and hold the button (2).
- 3 Operate the hand pump with the lever, the platform should lower.

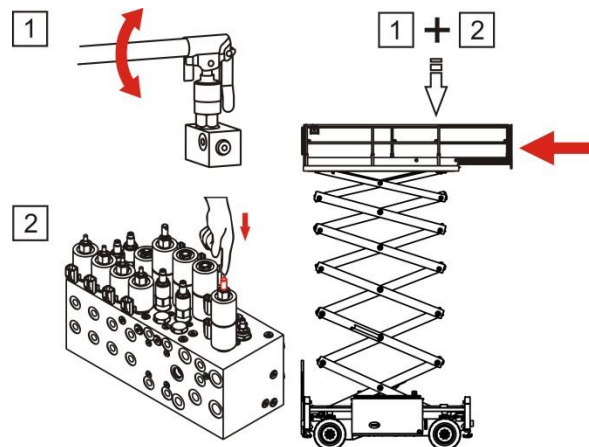
Retracting outriggers



- 1 Unplug the lever and put it into the hand pump (1)

- 2 Press and hold the button (4).
- 3 Choose the outrigger which needs to retract, Press and hold the corresponding button.
- 4 Operate the hand pump with the lever, the outrigger emergency retract

Retracting Pothole guard

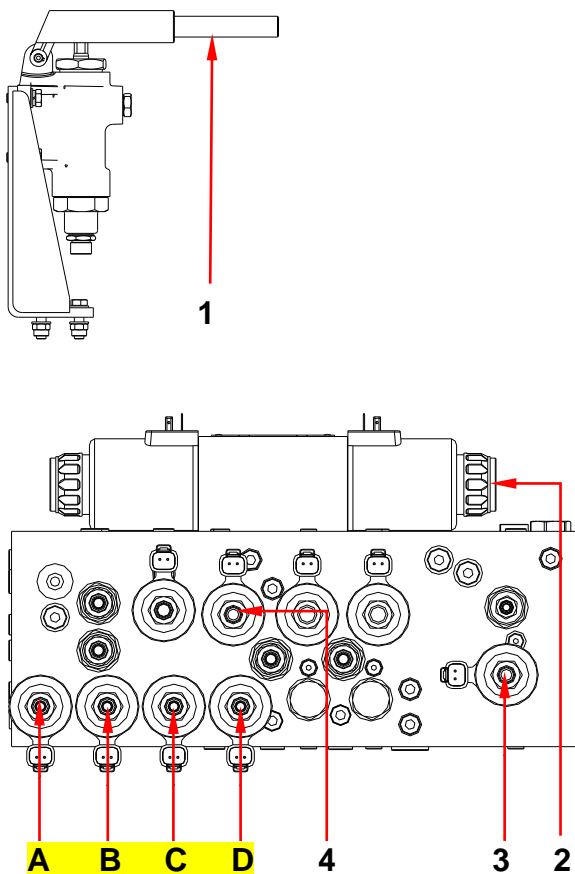


- 1 Unplug the lever and put it into the hand pump (1).
- 2 Press and hold the button (3).
- 3 Operate the hand pump with the lever, the platform should retract.

▲ WARNING Do not emergency lift/lower the platform and retract outriggers simultaneity.

▲ WARNING Emergency actuation of outriggers only in normal position danger of tipping!

Operating Instructions



After Each Use

- 1 Select a safe parking location - firm level surface, clear of obstruction and traffic.
- 2 Lower the platform.
- 3 Turn the key switch to the off position and remove the key to secure from unauthorized use.
- 4 Push in the red Emergency Stop buttons to "off" position.
- 5 Disconnect the main power.
- 6 Chock the wheels.
- 7 Charge the batteries.

Transport and Lifting Instructions



Observe and Obey:

- ✓ Common sense and planning must be applied to control the movement of the machine when lifting it with a crane or forklift.
- ✓ The transport vehicle must be parked on a level surface.
- ✓ The transport vehicle must be secured to prevent rolling while the machine is being loaded.
- ✓ Be sure the vehicle capacity, loading surfaces and chains or straps are sufficient to withstand the machine weight. See the serial label for the machine weight.
- ✓ The machine must be on a level surface or secured before releasing the brakes.
- ✓ Do not drive the machine on a slope that exceeds the slope or side slope rating. See Driving on a Slope in the Operating Instructions section.
- ✓ If the slope of the transport vehicle bed exceeds the maximum slope rating, the machine must be loaded and unloaded using a winch as described.

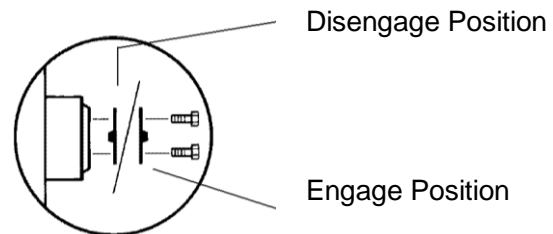
Free-wheel Configuration for Winching

Chock the wheels to prevent the machine from rolling.

Release the wheel brakes by turning over all four torque hub disconnect caps.

Be sure the winch line is properly secured to the drive chassis tie points and the path is clear of all obstructions.

Reverse the procedures described to re-engage the brakes.



Transport and Lifting Instructions

Securing to Truck or Trailer for

Transit

Always chock the machine wheels in preparation for transport.

Retract and secure the extension deck(s).

Use the tie-down points on the chassis for anchoring down to the transport surface.

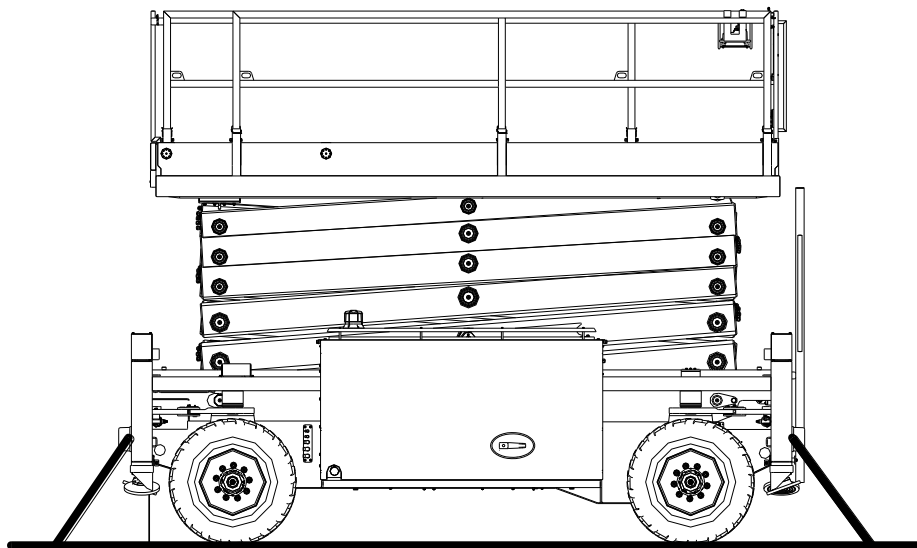
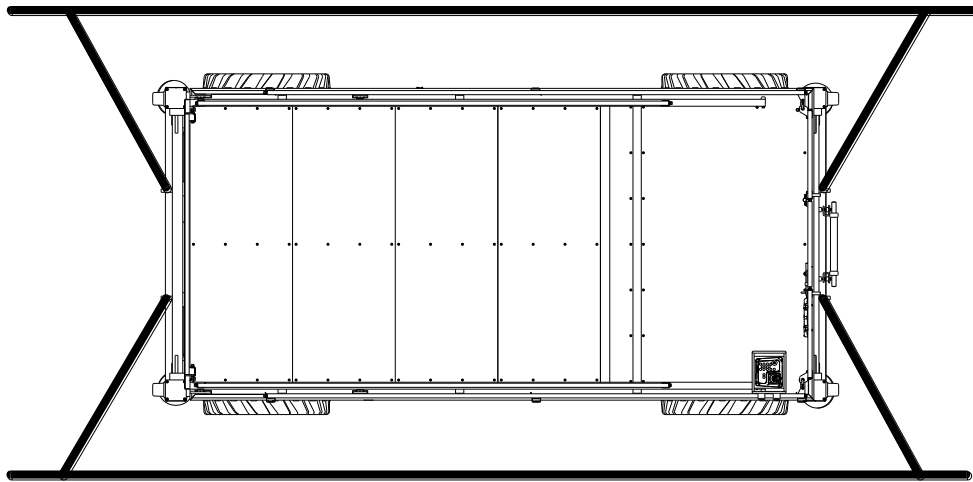
Use a minimum of four chains or straps.

Use chains or straps of ample load capacity.

Turn the key switch to the off position and remove the key before transporting.

Inspect the entire machine for loose or unsecured items.

If the railings have been folded down, secure them with straps before transporting.



Transport and Lifting Instructions



Observe and Obey:

- Only qualified riggers should rig and lift the machine.
- Be sure the crane capacity, loading surfaces and straps or lines are sufficient to withstand the machine weight. See the serial plate for the machine weight.

Determine the center of gravity of your machine using the table and the picture on this page.

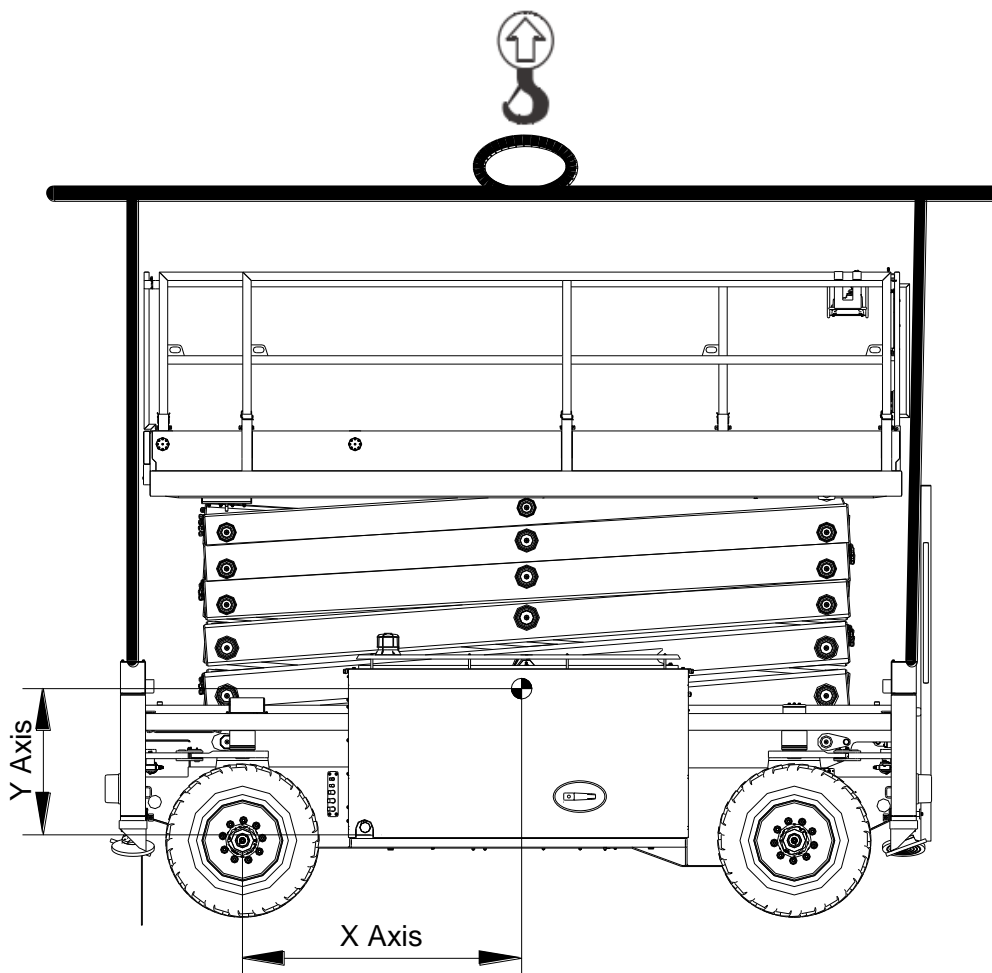
Attach the rigging only to the designated lifting points on the machine. There are two lifting points on each end of the machine.

Adjust the rigging to prevent damage to the machine and to keep the machine level.

Lifting Instructions

Fully lower the platform. Be sure the extension decks, controls and covers are secure. Remove all loose items on the machine.

Center of gravity	X Axis	Y Axis
JCPT2223DC	1.7m	0.9m



Maintenance



Observe and Obey:

- Only routine maintenance items specified in this manual shall be performed by the operator.
- Scheduled maintenance inspections shall be completed by qualified service technicians, according to the manufacturer's specifications and the requirements specified in this manual.

Maintenance Symbols Legend

NOTICE The following symbols have been used in this manual to help communicate the intent of the instructions. When one or more of the symbols appear at the beginning of a maintenance procedure, it conveys the meaning below.



Indicates that tools will be required to perform this procedure.



Indicates that new parts will be required to perform this procedure.



Indicates that dealer service will be required to perform this procedure

Pre-delivery Preparation Report

The pre-delivery preparation report contains checklists for each type of scheduled inspection.

Make copies of the Pre-delivery Preparation report to use for each inspection. Store completed forms as required.

Maintenance Schedule

There are five types of maintenance inspections that must be performed according to a schedule-daily, quarterly, semi-annually, annually, and two year. The Scheduled Maintenance Procedures Section and the Maintenance Inspection Report have been divided into five subsections-A, B, C, D, and E. Use the following chart to determine which group(s) of procedures are required to perform a scheduled inspection.

Inspection	Checklist
Daily or every 8 hours	A
Quarterly or every 250 hours	A+B
Semi-annually or every 500 hours	A+B +C
Annually or every 1000 hours	A+B +C +D
Two year or every 2000 hours	A+B+C+D+E

Maintenance Inspection Report

The maintenance inspection report contains checklists for each type of scheduled inspection.

Make copies of the Maintenance Inspection Report to use for each inspection. Maintain completed forms for a minimum of 4 years or in compliance with your employer, jobsite and governmental regulations and requirements.

Maintenance

Pre-delivery Preparation Report

Fundamentals

It is the responsibility of the dealer to perform the Pre-delivery Preparation.

The Pre-delivery Preparation is performed prior to each delivery. The inspection is designed to discover if anything is apparently wrong with a machine before it is put into service.

A damaged or modified machine must never be used. If damage or any variation from factory delivered condition is discovered, the machine must be tagged and removed from service.

Repairs to the machine may only be made by a qualified service technician, according to the manufacturer's specifications.

Scheduled maintenance inspections shall be performed by qualified service technicians, according to the manufacturer's specifications and the requirements listed in this manual.

Instructions

Use the operator's manual on your machine.

The Pre-delivery Preparation consists of completing the Pre-operation Inspection, the Maintenance items and the Function Tests.

Use this form to record the results. Place a check in the appropriate box after each part is completed. Follow the instructions in the operator's manual.

If any inspection receives an N, remove the machine from service, repair and re-inspect it. After repair, place a check in the R box.

Legend

Y = yes, completed

N = no, unable to complete

R = repaired

Comments

Pre-Delivery Preparation	Y	N	R
Pre-operation inspection completed			
Maintenance items completed			
Function tests completed			

Model

Serial number

Date

Machine owner

Inspected by (print)

Inspector signature

Inspector title

Inspector company

Maintenance

Maintenance Inspection Report

Model
Serial number
Date
Hour meter
Machine owner
Inspected by (print)
Inspector signature
Inspector title
Inspector company
Instructions
<ul style="list-style-type: none"> • Make copies of this report to use for each inspection. • Select the appropriate checklist(s) for the type of inspection to be performed.
<input type="checkbox"/> Daily or 8 hours Inspection: A
<input type="checkbox"/> Quarterly or 250 hours Inspection: A+ B
<input type="checkbox"/> Semi-annually or 500 hours Inspection: A+B+C
<input type="checkbox"/> Annually or 1000 hours Inspection: A+B+C+D
<input type="checkbox"/> Two year or 2000 hours Inspection: A+B+C+D+E
<ul style="list-style-type: none"> • Place a check in the appropriate box after each inspection procedure is completed. • Use the step-by-step procedures in this section to learn how to perform these inspections. • If any inspection receives an “N”, tag and remove the machine from service, repair and re-inspect it. After repair, place a check in the “R” box.
Legend
Y = yes, acceptable
N = no, remove from service
R = repaired

Checklist A	Y	N	R
A-1 Inspect the manuals and decals			
A-2 Pre-operation inspection			
A-3 Check the Batteries			
A-4 Check the Hydraulic Oil Level			
A-5 Function tests			
Perform after 40 hours:			
A-6 30 day service			
Checklist B	Y	N	R
B-1 Batteries			
B-2 Electrical wiring			
B-3 Tires and wheels			
B-4 Check the Oil Level in the Drive Hubs			
B-5 Key switch			
B-6 Emergency stop			
B-7 Horn (if equipped)			
B-8 Drive brakes			
B-9 Drive speed - stowed			
B-10 Drive speed - raised			
B-11 Lubricate			
B-12 Tank venting system			
Checklist C	Y	N	R
C-1 Platform overload (if equipped)			
Checklist D	Y	N	R
D-1 Return filter element			
D-2 Free-wheel configuration			
Checklist E	Y	N	R
E-1 Hydraulic oil			

Checklist A Procedures

A-1

Inspect the Manuals and Decals

Maintaining the operator's manual in good condition is essential to safe machine operation. Manuals are included with each machine and should be stored in the container provided in the platform. An illegible or missing manual will not provide safety and operational information necessary for a safe operating condition.

In addition, maintaining all of the safety and instructional decals in good condition is mandatory for safe machine operation. Decals alert operators and personnel to the many possible hazards associated with using this machine. They also provide users with operation and maintenance information. An illegible decal will fail to alert personnel of a procedure or hazard and could result in unsafe operating conditions.

- 1 Check to make sure that the operator's manual is present and complete in the storage container on the platform.
- 2 Examine the pages of manual to be sure that they are legible and in good condition.

☉ Result: The operator's manual is appropriate for the machine and the manual are legible and in good condition.

☒ Result: The operator's manual is not appropriate for the machine or the manual is not in good condition or is illegible. Remove the machine from service until the manual is replaced.

- 3 Open the operator's manual to the decals inspection section. Carefully and thoroughly inspect all decals on the machine for legibility and damage.

☉ Result: The machine is equipped with all required decals, and all decals are legible and in good condition.

☒ Result: The machine is not equipped with all required decals, or one or more decals are illegible or in poor condition. Remove the machine from service until the decals are replaced.

- 4 Always return the manual to the storage container after use.

Note: Contact your authorized DINGLI distributor or DINGLI Industries if replacement manuals or decals are needed.

Maintenance

A-2

Perform Pre-operation Inspection

Completing a Pre-operation Inspection is essential to safe machine operation. The Pre-operation Inspection is a visual inspection performed by the operator prior to each work shift. The inspection is designed to discover if anything is apparently wrong with a machine before the operator performs the function tests. The Pre-operation Inspection also serves to determine if routine maintenance procedures are required.

Complete information to perform this procedure is available in the appropriate operator's manual. Refer to the Operator's Manual on your machine.

A-3

Check the Batteries



Proper battery condition is essential to good machine performance and operational safety. Improper fluid levels or damaged cables and connections can result in component damage and hazardous conditions.

⚠ WARNING Electrocutation hazard.

Contact with hot or live circuits may result in death or serious injury. Remove all rings, watches and other jewelry.

⚠ WARNING Bodily injury hazard.

Batteries contain acid. Avoid spilling or contacting battery acid. Neutralize battery acid spills with baking soda and water.

- 1 Put on protective clothing and eye wear.
- 2 Be sure that the battery cable connections are tight and free of corrosion.
- 3 Be sure that the battery hold-down bars are secure.
- 4 Remove the battery vent caps.
- 5 Check the battery acid level. If needed, replenish with distilled water to the bottom of the battery fill tube. Do not overfill.
- 6 Install the vent caps.

Maintenance**A-4****Check the Hydraulic Oil Level**

Maintaining the hydraulic oil at the proper level is essential to machine operation. Improper hydraulic oil levels can damage hydraulic components. Daily checks allow the inspector to identify changes in oil level that might indicate the presence of hydraulic system problems.

NOTICE

Perform this procedure with the platform in the stowed position

- 1 Visually inspect the sight of hydraulic oil level from the side of the hydraulic oil tank.

⊙ Result: The hydraulic oil level should be within the top 5 cm of the tank.

- 2 Add oil if necessary. Do not overfill.

NOTICE

Original Hydraulic oil specifications: L-HV46

Customers shall choose the appropriate hydraulic oil according to the ambient temperature used.

Example: L-HV32 or L-HV68

A-5**Perform Function Tests**

Completing the function tests is essential to safe machine operation. Function tests are designed to discover any malfunctions before the machine is put into service. A malfunctioning machine must never be used. If malfunctions are discovered, the machine must be tagged and removed from service.

Complete information to perform this procedure is available in the appropriate operator's manual. Refer to the Operator's Manual on your machine.

A-6**Perform 30 Day Service**

The 30 day maintenance procedure is a one time procedure to be performed after the first 30 days or 40 hours of usage. After this interval, refer to the maintenance tables for continued scheduled maintenance.

- 1 Perform the following maintenance procedures:
 - B-3 Inspect the Tires and Wheels (including lug nut torque)

Maintenance

Checklist B Procedures

B-1

Inspect the Batteries



DINGLI requires that this procedure be performed every 250 hours or quarterly, whichever comes first.

Proper battery condition is essential to good machine performance and operational safety. Improper fluid levels or damaged cables and connections can result in component damage and hazardous conditions.

⚠ WARNING Electrocutation / burn hazard. Contact with electrically charged circuits could result in death or serious injury. Remove all rings, watches and other jewelry.

⚠ WARNING Bodily injury hazard. Batteries contain acid. Avoid spilling or contacting battery acid. Neutralize battery acid spills with baking soda and water.

- 1 Put on protective clothing and eye wear.
- 2 Be sure that the battery cable connections are free of corrosion.

Note: Adding terminal protectors and a corrosion preventative sealant will help eliminate corrosion on the battery terminals and cables.

- 3 Be sure that the battery retainers and cable connections are tight.
- 4 Fully charge the battery. Allow the battery to rest 24 hours before performing this procedure to allow the battery cells to equalize.

Models without maintenance-free or sealed batteries:

- 5 Remove the battery vent caps and check the specific gravity of each battery cell with a hydrometer. Note the results.

- 6 Check the ambient air temperature and adjust the specific gravity reading for each cell as follows:

- Add 0.004 to the reading of each cell for every 5.5° C above 26.7° C.
- Subtract 0.004 from the reading of each cell for every 5.5° C below 26.7° C.

- ⊙ Result: All battery cells display an adjusted specific gravity of 1.277 or higher. The battery is fully charged. Proceed to step 10.

- ⊘ Result: One or more battery cells display a specific gravity of 1.217 or below. Proceed to step 7.

- 7 Perform an equalizing charge OR fully charge the batteries and allow the battery to rest at least 6 hours.

- 8 Remove the battery vent caps and check the specific gravity of each battery cell with a hydrometer. Note the results.

- 9 Check the ambient air temperature and adjust the specific gravity reading for each cell as follows:

- Add 0.004 to the reading of each cell for every 5.5° C above 26.7° C.
- Subtract 0.004 from the reading of each cell for every 5.5° C below 26.7° C.

- ⊙ Result: All battery cells display a specific gravity of 1.277 or greater. The battery is fully charged. Proceed to step 10.

- ⊘ Result: The difference in specific gravity readings between cells is greater than 0.1 OR the specific gravity of one or more cells is less than 1.217. Replace the battery.

Maintenance

- 10 Check the battery acid level. If needed, replenish with distilled water to 1/8 inch | 3 mm below the bottom of the battery fill tube. Do not overfill.
- 11 Install the vent caps and neutralize any electrolyte that may have spilled.

All models:

- 12 Check each battery pack and verify that the batteries are wired correctly.
 - 13 Inspect the battery charger plug and pigtail for damage or excessive insulation wear. Replace as required.
 - 14 Connect the battery charger to a properly grounded 110 - 230V / 50 – 60 Hz single phase AC power supply.
- ⊙ Result: The charger should operate and begin charging the batteries.
- ⊘ Result: If, simultaneously, the charger alarm sounds and the LEDs blink, correct the charger connections at the fuse and battery. The charger will then operate correctly and begin charging the batteries.

Note: For best results, use an extension of adequate size with a length no longer than 15m.

Note: If you have any further questions regarding the battery charger operation, please contact the DINGLI Service Department.

B-2**Inspect the Electrical Wiring**

DINGLI requires that this procedure be performed every 250 hours or quarterly, whichever comes first.

Maintaining electrical wiring in good condition is essential to safe operation and good machine performance. Failure to find and replace burnt, chafed, corroded or pinched wires could result in unsafe operating conditions and may cause component damage.

⚠ WARNING Electrocutation / burn hazard. Contact with electrically charged circuits could result in death or serious injury. Remove all rings, watches and other jewelry.

- 1 Inspect the underside of the chassis for damaged or missing ground strap(s).
- 2 Inspect the following areas for burnt, chafed, corroded and loose wires:
 - Ground control panel
 - Hydraulic power unit module tray
 - Battery pack module tray
 - Platform controls
- 3 Inspect for a liberal coating of dielectric grease in the following locations:
 - Between the ECM and platform controls
 - All wire harness connectors
 - Level sensor
- 4 Turn the key switch to ground control. Pull out the platform and ground red Emergency Stop button to the on position.
- 5 Raise the platform approximately 5.5m from the ground.
- 6 Use the Safety Arm. Stop the machine.

Maintenance

⚠ WARNING Crushing hazard. Keep hands clear of the safety arm when lowering the platform.

- 7 Inspect the center chassis area and scissor arms for burnt, chafed and pinched cables.
- 8 Inspect the following areas for burnt, chafed, corroded, pinched and loose wires:
 - Scissor arms
 - ECM to platform controls
 - Power to platform wiring
- 9 Inspect for a liberal coating of dielectric grease in all connections between the ECM and the platform controls.
- 10 Raise the platform and return the safety arm to the stowed position.
- 11 Lower the platform to the stowed position and turn the machine off.

B-3

Inspect the Tires and Wheels



Dingli requires that this procedure be performed every 250 hours or quarterly, whichever comes

Maintaining the tires and wheels in good condition is essential to safe operation and good performance. Tire and/or wheel failure could result in a machine tip-over. Component damage may also result if problems are not discovered and repaired in a timely fashion.

- 1 Check all tire treads and sidewalls for cuts, cracks, punctures and unusual wear.
- 2 Check each wheel for damage, bends and cracks.
- 3 Check each lug nut for proper torque.

lug nut torque

237Nm

B-4**Check the Oil Level in the Drive Hubs**

Dingli requires that this procedure be performed every 250 hours or quarterly, whichever comes

Failure to maintain proper drive hub oil levels may cause the machine to perform poorly and continued use may cause component damage.

- 1 Before draining oil it is mandatory to rotate the planetary gear reduction in order to move the oil plug in filling position, then loosen the oil plug and wait until the internal pressure is completely released.
- 2 Remove the plug located and check the oil level.
 - ⊙ Result: The oil level should be even with the bottom of the plug hole.
- 3 If necessary, remove the plug and add oil until the oil level.
- 4 Apply pipe thread sealant to the plug(s), and then install the plug(s) in the drive hub.
- 5 Repeat this procedure for each drive hub.

B-5**Test the Key Switch**

Dingli requires that this procedure be performed every 250 hours or quarterly, whichever comes first.

Proper key switch action and response is essential to safe machine operation. Failure of the key switch to activate the appropriate control panel could cause a hazardous operating situation.

- 1 **Pull out the platform and ground red Emergency Stop button to the on position.**
- 2 Turn the key switch to ground controls.
- 3 Check any machine function from the platform controls.
 - ⊙ Result: The machine functions should not operate.
- 4 Turn the key switch to platform controls.
- 5 Check any machine function from the ground controls.
 - ⊙ Result: The machine functions should not operate.
- 6 Turn the key switch to the off position.
 - ⊙ Result: No machine functions should operate.

Maintenance

B-6

Test the Emergency Stop

Dingli requires that this procedure be performed every 250 hours or quarterly, whichever comes first.

A properly functioning Emergency Stop is essential for safe machine operation. An improperly operating red Emergency Stop button will fail to shut off power and stop all machine functions, resulting in a hazardous situation.

As a safety feature, selecting and operating the ground controls will override the platform controls, except the platform red Emergency Stop button.

- 1 Turn the key switch to ground control. **Pull out the platform and ground red Emergency Stop button to the on position.**
- 2 Push in the red Emergency Stop button at the ground controls to the off position.
 - ⊙ Result: No machine functions should operate.
- 3 **Turn the key switch to platform control. Pull out the platform and ground red Emergency Stop button to the on position.**
- 4 Push down the red Emergency Stop button at the platform controls to the off position.
 - ⊙ Result: No machine functions should operate.

Note: The red Emergency Stop button at the ground controls will stop all machine operation, even if the key switch is switched to platform control.

B-7

Test the Automotive-style Horn

Dingli requires that this procedure be performed every 250 hours or quarterly, whichever comes first.

A functional horn is essential to safe machine operation. The horn is activated at the platform controls and sounds at the ground as a warning to ground personnel. An improperly functioning horn will prevent the operator from alerting ground personnel of hazards or unsafe conditions.

- 1 Turn the key switch to platform control.
Pull out the platform and ground red Emergency Stop button to the on position.
- 2 Push down the horn button at the platform controls.
 - ⊙ Result: The horn should sound.

Note: If necessary, the horn can be adjusted to obtain the loudest volume by turning the adjustment screw near the wire terminals on the horn.

B-8**Test the Drive Brakes**

Dingli requires that this procedure be performed every 250 hours or quarterly, whichever comes first.

Proper brake action is essential to safe machine operation. The drive brake function should operate smoothly, free of hesitation, jerking and unusual noise.

Hydraulically-released individual wheel brakes can appear to operate normally when they are actually not fully operational.

- 1 Mark a test line on the ground for reference.
 - 2 **Turn the key switch to platform control. Pull out the platform and ground red Emergency Stop button to the on position.**
 - 3 Lower the platform to the stowed position.
 - 4 Press the drive function select button.
 - 5 Choose a point on the machine; i.e., contact patch of a tire, as a visual reference for use when crossing the test line.
 - 6 Bring the machine to top drive speed before reaching the test line. Release the function enable switch or the joystick when your reference point on the machine crosses the test line.
 - 7 Measure the distance between the test line and your machine reference point.
- ⊙ Result: The machine stops within the specified braking distance. No action required.
- ⊘ Result: The machine does not stop within the specified braking distance.

Note: The brakes must be able to hold the machine on any slope it is able to climb.

- 8 Replace the brakes and repeat this procedure beginning with step 1.

Braking distance, maximum

High range on paved surface	<270cm
-----------------------------	--------

Maintenance

B-9

Test the Drive Speed - Stowed Position



Dingli requires that this procedure be performed every 250 hours or quarterly, whichever comes

Proper drive function movement is essential to safe machine operation. The drive function should respond quickly and smoothly to operator control. Drive performance should also be free of hesitation, jerking and unusual noise over the entire proportionally controlled speed range.

- 1 Create start and finish lines by marking two lines on the ground 12.2m apart.
- 2 Turn the key switch to platform controls
- 3 **Pull out the platform and ground red Emergency Stop button to the on position.**
- 4 Lower the platform to the stowed position.
- 5 Choose a point on the machine; i.e., contact patch of a tire, as a visual reference for use when crossing the start and finish lines.
- 6 Bring the machine to maximum drive speed before reaching the start line. Begin timing when your reference point on the machine crosses the start line.
- 7 Continue at full speed and note the time when the machine reference point passes over the finish line. The time is less than 8.8 sec.

B-10

Test the Drive Speed -Raised Position



Dingli requires that this procedure be performed every 250 hours or quarterly, whichever comes first.

Proper drive function movement is essential to safe machine operation. The drive function should respond quickly and smoothly to operator control. Drive performance should also be free of hesitation, jerking and unusual noise over the entire proportionally controlled speed range.

- 1 Create start and finish lines by marking two lines on the ground 12.2m apart.
- 2 Turn the key switch to platform controls
- 3 **Pull out the platform and ground red Emergency Stop button to the on position.**
- 4 Press and hold the function enable button. Raise the platform approximately 4.0m from the ground.
- 5 Choose a point on the machine; i.e., contact patch of a tire, as a visual reference for use when crossing the start and finish lines.
- 6 Bring the machine to maximum drive speed before reaching the start line. Begin timing when your reference point on the machine crosses the start line.
- 7 Continue at full speed and note the time when the machine reference point passes over the finish line. The time is less than 110 sec.

Maintenance

B-11

Lubrication



Dingli requires that this procedure be performed every 250 hours or quarterly, whichever comes first.

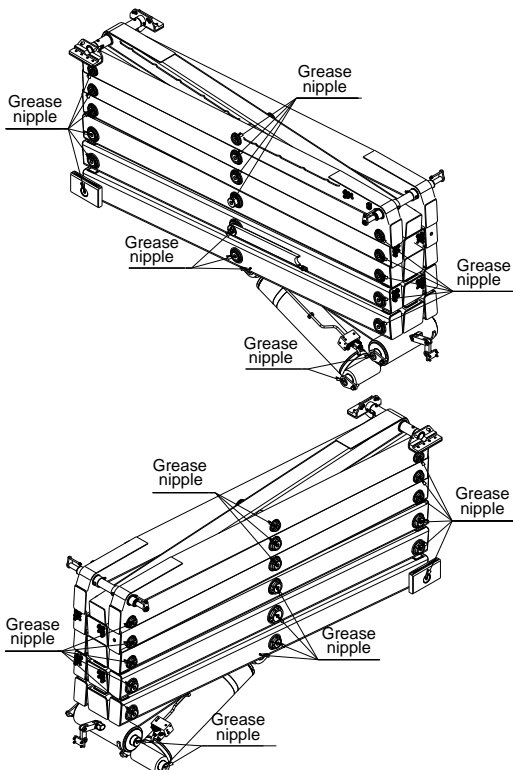
Good lubrication is essential to machine performance and service life. Failure to lubricate may cause the machine to perform poorly and continued use may cause component damage.

Lubrication involves:

- The lubricating points on the scissor joints
- The lubricating points on the chassis.
- The lubricating points on the platform

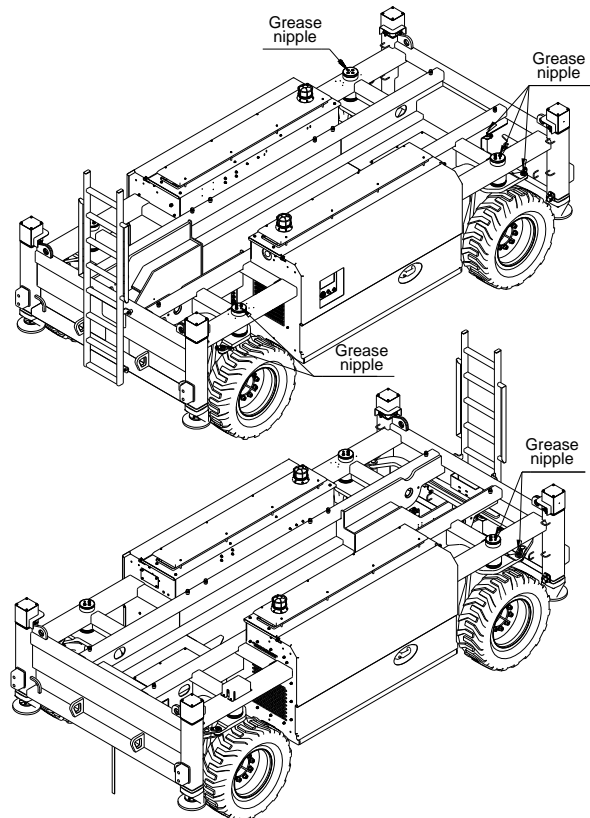
The following points must be lubricated on the scissor joint in particular:

- Scissor shaft
- Sliding blocks
- lifting cylinder



The following points must be lubricated on the chassis in particular:

- Steering
- Sliding tracks of the sliding blocks



The following points must be lubricated on the platform in particular:

- Sliding blocks - sliding tracks

Note: Lubricate all grease points of the aerial work platform only slightly when re-lubricating, but always ensure sufficient lubrication. Use high temperature-resistant grease.

Maintenance

B-12

Perform Hydraulic Oil Analysis



Dingli requires that this procedure be performed every 250 hours or quarterly, whichever comes first.

Replacement or testing of the hydraulic oil is essential for good machine performance and service life. Dirty oil and a clogged suction strainer may cause the machine to perform poorly and continued use may cause component damage. Extremely dirty conditions may require oil changes to be performed more often.

Note: Before replacing the hydraulic oil, the oil may be tested by an oil distributor for specific levels of contamination to verify that changing the oil is necessary. If the hydraulic oil is not replaced at the two year inspection, test the oil quarterly. Replace the oil when it fails the test. See E-1, Test or Replace the Hydraulic Oil.

Checklist C Procedures

C-1

Test the Platform Overload System



Dingli specifications require that this procedure be performed every 500 hours or semi-annually, whichever comes first OR when the machine fails to lift the maximum rated load.

Testing the platform overload system regularly is essential to safe machine operation. Continued use of an improperly operating platform overload system could result in the system not sensing an overloaded platform condition. Machine stability could be compromised resulting in the machine tipping over.

Note: Perform this procedure with the machine on a firm, level surface that is free of obstructions.

- 1 **Pull out the platform and ground red Emergency Stop button to the on position.**
- 2 Turn the key switch to platform controls.
- 3 Determine the maximum platform capacity.
- 4 Using a suitable lifting device, place an appropriate test weight equal to the maximum platform capacity in the center of the platform floor.
 - Result: The overload alarm at the platform controls should not sound, indicating a normal condition.
 - Result: The overload alarm at the platform controls sounds. Calibrate the platform overload system.
- 5 Add an additional weight to the platform not to exceed 20% of the maximum rated load.

- Result: The overload alarm at the platform controls sound, indicating a normal condition.
 - Result: The overload alarm at the platform controls does not sound. Calibrate the platform overload system.
- 6 Test all machine functions from the platform controls.
 - Result: All platform control functions should not operate.
 - 7 Turn the key switch to ground control.
 - 8 Test all machine functions from the ground controls
 - Result: All ground control functions should not operate.
 - 9 Lift the test weight off the platform floor using a suitable lifting device.
 - Result: The overload alarm at the platform controls should not sound, indicating a normal condition.
 - Result: The overload alarm at the platform controls sounds. Calibrate the platform overload system.
 - 10 Test all machine functions from the ground controls.
 - Result: All ground control functions should operate.
 - 11 Turn the key switch to platform control.
 - 12 Test all machine functions from the platform controls.
 - Result: All platform control functions should operate.

Maintenance

Checklist D Procedures

D-1

Replace the Hydraulic Tank Return Filter Element



DINGLI requires that this procedure be performed every 1000 hours or annually, whichever comes first.

Replacement of the hydraulic tank return filter is essential for good machine performance and service life. A dirty or clogged filter may cause the machine to perform poorly and continued use may cause component damage. Extremely dirty conditions may require that the filter be replaced more often.

⚠ CAUTION Beware of hot oil. Contact with hot oil may cause severe burns.

- 1 Open the cover.
- 2 Tag and disconnect the hydraulic tank return line .Cap the fitting on the filter head.
- 3 Clean the area around the oil filter. Remove the filter with an oil filter wrench.
- 4 Apply a thin layer of oil to the new oil filter gasket.
- 5 Install the new filter and tighten it securely by hand.
- 6 Use a permanent ink marker to write the date and number of hours from the hour meter onto the filter.
- 7 Inspect the filter and related components to be sure that there are no leaks.
- 8 Clean up any oil that may have spilled.

D-2

Check the Free-wheel Configuration



Dingli specifications require that this procedure be performed every 1000 hours or annually, whichever comes first.

Proper use of the free-wheel configuration is essential to safe machine operation. The free-wheel configuration is used primarily for towing. A machine configured to free-wheel without operator knowledge may cause death or serious injury and property damage.

⚠ WARNING Collision hazard. Select a work site that is firm and level.

NOTICE Component damage hazard. If the machine must be towed, do not exceed 4.5km/h.

- 1 Chock the front wheels.
- 2 Center a lifting jack of ample capacity (30,000 lbs / 15,000 kg) under the drive chassis between the rear wheels.
- 3 Lift the wheels off the ground and place blocks under the drive chassis for support.

⚠ WARNING Crushing hazard. The chassis could fall if not properly supported.

- 4 Release the brake.
- 5 Manually rotate each rear wheel.
- ⊙ Result: Each wheel should rotate with minimum effort.
- 6 Reset the brake. Rotate each wheel to check for engagement. Raise the machine and remove the blocks. Lower the machine.
- 7 Chock the rear wheels.

Maintenance

- 8 Center a lifting jack of ample capacity (30,000 lbs / 15,000 kg) under the drive chassis between the front wheels.
- 9 Lift the wheels off the ground and place blocks under the drive chassis for support.

⚠ WARNING Crushing hazard. The chassis could fall if not properly supported.

- 10 Release the brake.
- 11 Manually rotate each front wheel.
 - ⊙ Result: Each wheel should rotate with minimum effort.
- 12 Reset the brake. Rotate each wheel to check for engagement. Raise the machine and remove the blocks. Lower the machine.

Maintenance

Checklist E Procedures

E-1

Test or Replace the Hydraulic Oil



DINGLI requires that this procedure be performed every 2000 hours or every two years, whichever comes first.

Replacement or testing of the hydraulic oil is essential for good machine performance and service life. Dirty oil and suction strainers may cause the machine to perform poorly and continued use may cause component damage. Extremely dirty conditions may require oil changes to be performed more frequently.

NOTICE

Component damage hazard.

The work area and surfaces where this procedure will be performed must be clean and free of debris that could get into the hydraulic system.

Before replacing the hydraulic oil, the oil may be tested by an oil distributor for specific levels of contamination to verify that changing the oil is necessary.

If the hydraulic oil is not replaced at the two year inspection, test the oil quarterly. Replace the oil when it fails the test.

Note: Perform this procedure with the platform in the stowed position.

⚠ WARNING

Electrocution / burn hazard: Contact with electrically charged circuits could result in death or serious injury. Remove all rings, watches and other jewelry.

⚠ WARNING

Bodily injury hazard. Spraying hydraulic oil can penetrate and burn skin. Loosen hydraulic connections very slowly to allow the oil pressure to dissipate gradually. Do not allow oil to squirt or spray.

- 1 Disconnect the battery pack from the machine.
- 2 Open the power unit module cover.
- 3 Remove the oil drain plug at bottom Drain all of the oil into a suitable container.
- 4 Tag and disconnect the hydraulic tank return line from the hydraulic filter head and remove the line from the tank. Cap the fitting on the filter head.
- 5 Tag and disconnect the hydraulic pump inlet line and remove the line from the tank. Cap the fitting on the pump.
- 6 Remove the hydraulic tank retaining fasteners and remove the hydraulic tank from the machine.
- 7 Open the tank cover and remove the oil filter.
- 8 Remove the breather cap from the hydraulic tank.
- 9 Clean the inside of the hydraulic tank using a mild solvent. Allow the tank to dry completely.
- 10 Tighten the drain plug.
- 11 Install a new oil filter onto the tank and install the tank cover.
- 12 Install the breather cap onto the hydraulic tank.
- 13 Install the hydraulic tank and install and tighten the hydraulic tank retaining fasteners.
- 14 Install the hydraulic pump inlet line into the tank. Install the fitting onto the pump and torque.

Maintenance

- 15 Install the hydraulic pump return line into the tank. Install the fitting onto the hydraulic filter head and torque.
- 16 Add the tank with hydraulic oil until the fluid is equal in the hydraulic tank.

⚠ WARNING Component damage hazard.
The pump can be damaged if operated without oil. Be careful not to empty the hydraulic tank while in the process of filling the hydraulic system. Do not allow the pump to cavitate.

Maintenance

Fault State

List of Fault Codes

Display for Platform	Display for Ground	Description	Description
01	01 Internal ECU Fault	Main ECU System Fault	Replace Main ECU
02	02 Platform ECU Fault	ECU/Platform Communication Fault	Check the wiring, check the platform/ground control
14	14 Angle Sensor Fault	Angle Sensor Fault	Check the sensor, check the wiring
15	15 Pressure Sensor Fault	Pressure Sensor Fault	Check the sensor, check the wiring
20	20 Chassis Start Sw Fault	Chassis Start Switch ON at power-up	Check the switch, check the wiring
21	21 Chassis Choke Sw Fault	Chassis Choke Switch ON at power-up	Check the switch, check the wiring
22	22 Chassis Up Sw Fault	Chassis Up Switch ON at power-up	Check the switch, check the wiring
23	23 Chassis Lift Sw Fault	Chassis Lift Switch ON at power-up	Check the switch, check the wiring
24	24 Chassis Down Sw Fault	Chassis Down Switch ON at power-up	Check the switch, check the wiring
25	25 Left Turn switch Fault	Platform Left Turn Switch ON at power-up	Check the switch, replace the platform
26	26 Right Turn switch Fault	Platform Right Turn Switch ON at power-up	Check the switch, replace the platform
27	27 Drive Enable Sw Flt	Platform Drive Enable Switch ON at power-up	Check the switch, replace the platform
28	28 Off Neutral Drive Joystick	Platform Joystick not in neutral ON at power-up	Check the switch, replace the platform
31	31 Platform Choke Sw Fault	Platform Choke Switch ON at power-up	Check the switch, replace the platform
32	32 Platform Start Sw Fault	Platform Start Switch ON at power-up	Check the switch, replace the platform
33	33 Left Front outrig Sw Flt	Platform Left Front Outrigger Enable Switch ON at power-up	Check the switch, replace the platform
34	34 Right Front outrig Sw Flt	Platform Right Front Outrigger Enable Switch ON at power-up	Check the switch, replace the platform
35	35 Left Rear outrig Sw Flt	Platform Left Rear Outrigger Enable Switch ON at power-up	Check the switch, replace the platform
36	36 Right Rear outrig Sw Flt	Platform Right Rear Outrigger Enable Switch ON at power-up	Check the switch, replace the platform

Maintenance

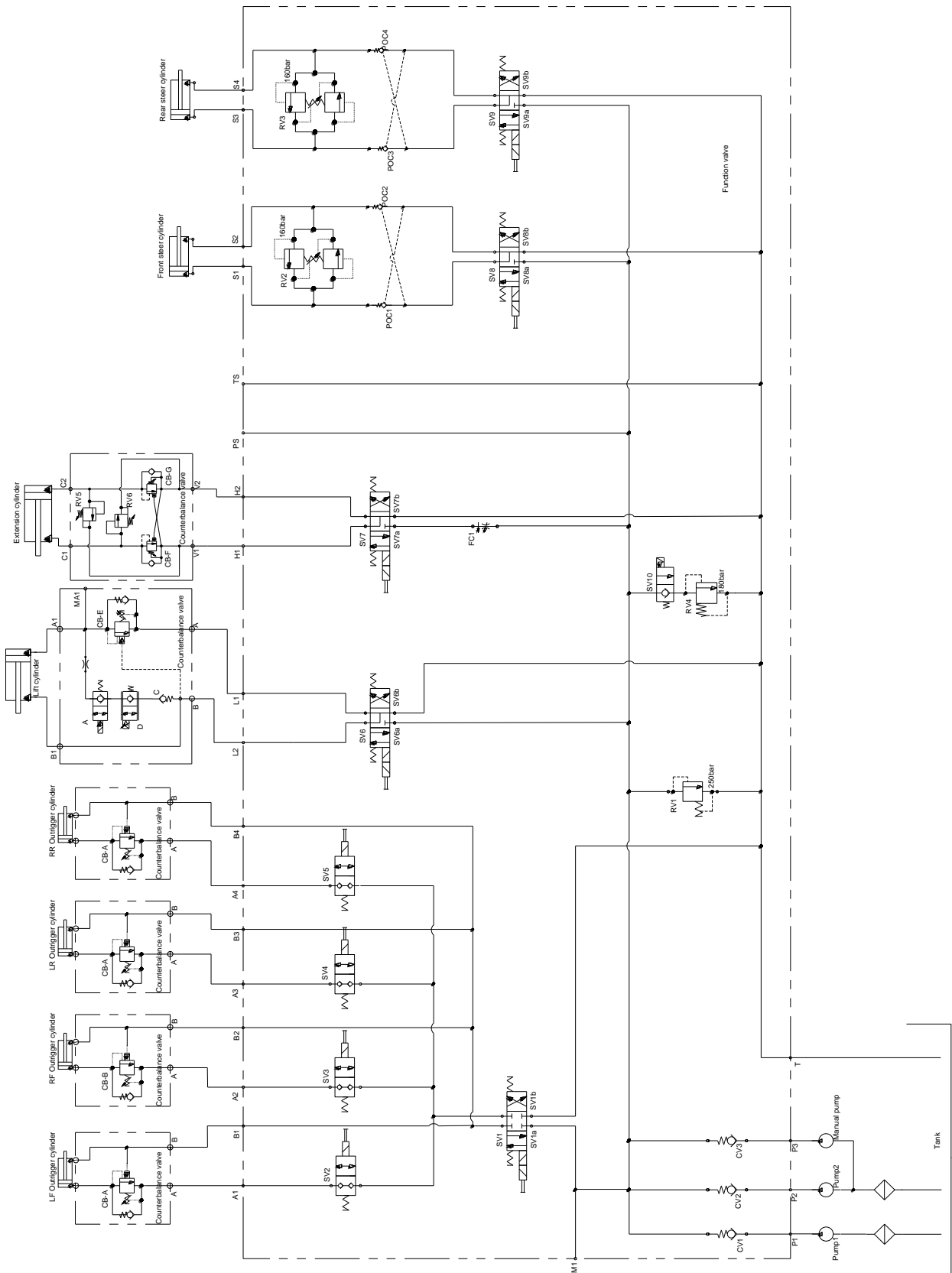
Display for Platform	Display for Ground	Description	Repair
37	37 Auto Level Switch Fault	Platform Outrigger Auto Level Enable Switch ON at power-up	Check the switch, replace the platform
38	38 LF OR Limit Switch Fault	Left Front Outrigger Limit Switches are both ON	Check the limit switch, check the wiring
39	39 RF OR Limit Switch Fault	Right Front Outrigger Limit Switches are both ON	Check the limit switch, check the wiring
40	40 LR OR Limit Switch Fault	Left Rear Outrigger Limit Switches are both ON	Check the limit switch, check the wiring
41	41 RR OR Limit Switch Fault	Right Rear Outrigger Limit Switches are both ON	Check the limit switch, check the wiring
44	44 Down Limit Switch fault	Down Limit Switch fault	Check the limit switch, check the wiring
45	45 Platform Ret Coil Fault	Platform Retract Coil Fault	check the wiring, replace the valve
46	46 Platform Ext Coil Fault	Platform Extend Coil Fault	check the wiring, replace the valve
47	47 Steer Switch Coil Fault	Steer Switch Coil Fault	check the wiring, replace the valve
48	48 Pothole Ret Coil Fault	Pothole Retract Coil Fault	check the wiring, replace the valve
49	49 Pothole Ext Coil Fault	Pothole Extend Coil Fault	check the wiring, replace the valve
50	50 Outrigger Fault	Outdoor Mode: Outrigger not Extend. Or all four Outriggers are not Extend.	check the outdoor mode, check the limit switch, check the wiring, replace the valve
54	54 Up Coil Fault	Power FET, channel DOWN fails	check the wiring, replace the valve
55	55 Down Coil Fault	Power FET, channel RT fails	check the wiring, replace the valve
56	56 Right Turn Coil Fault	Power FET, channel LT fails	check the wiring, replace the valve
57	57 Left Turn Coil Fault	Power FET, channel LT fails	check the wiring, replace the valve
60	60 RR MC Alarm	Rear right Motor controller Alarm	check the wiring, replace the controller
61	61 RL MC Alarm	Rear left Motor controller Alarm	check the wiring, replace the controller
62	62 FL MC Alarm	Front left Motor controller Alarm	check the wiring, replace the controller
63	63 FR MC Alarm	Front right Motor controller Alarm	check the wiring, replace the controller

Maintenance

Display for Platform	Display for Ground	Description	Repair
68	68 Low Battery Voltage	Low Battery Voltage	check the wiring, check the battery
70	70 RR MC Warning	Rear right Motor controller Warning	check the wiring, replace the controller
71	71 RL MC Warning	Rear left Motor controller Warning	check the wiring, replace the controller
72	72 FL MC Warning	Front left Motor controller Warning	check the wiring, replace the controller
73	73 FR MC Warning	Front right Motor controller Warning	check the wiring, replace the controller
81	81 Left Front Otrg Coil Flt	Power FET, channel LEFT FRONT OUTRIGGER fails	check the wiring, replace the valve
82	82 Left Rear Otrg Coil Flt	Power FET, channel LEFT REAR OUTRIGGER fails	check the wiring, replace the valve
83	83 Right Front Otrg Coil Flt	Power FET, channel RIGHT FRONT OUTRIGGER fails	check the wiring, replace the valve
84	84 Right Rear Otrg Coil Flt	Power FET, channel RIGHT REAR OUTRIGGER fails	check the wiring, replace the valve
85	85 Outrigger Ext Coil Fit	Power FET, channel EXTEND OUTRIGGER fails	check the wiring, replace the valve
86	86 Outrigger Ret Coil Fit	Power FET, channel RETRACT OUTRIGGER fails	check the wiring, replace the valve
90	90 RR MC Comm Fault	Rear right Motor controller communication fault.	check the wiring, replace the controller
91	91 RL MC Comm Fault	Rear left Motor controller communication fault.	check the wiring, replace the controller
92	92 FL MC Comm Fault	Front left Motor controller communication fault.	check the wiring, replace the controller
93	93 FR MC Comm Fault	Front right Motor controller communication fault.	check the wiring, replace the controller
97	97 Wheels not centered	The wheel is out of center when lifting	Turn the wheel back to the center.
99	99 Pothole Fault	Pothole Fault	Check the limit switch, check the wiring
OL	Platform Overload	Platform Overload Fault	Remove the excess load immediately.
LL	Chassis Tilt	Machine Tilted Beyond Safe Limits Fault	check the wiring, replace the sensor

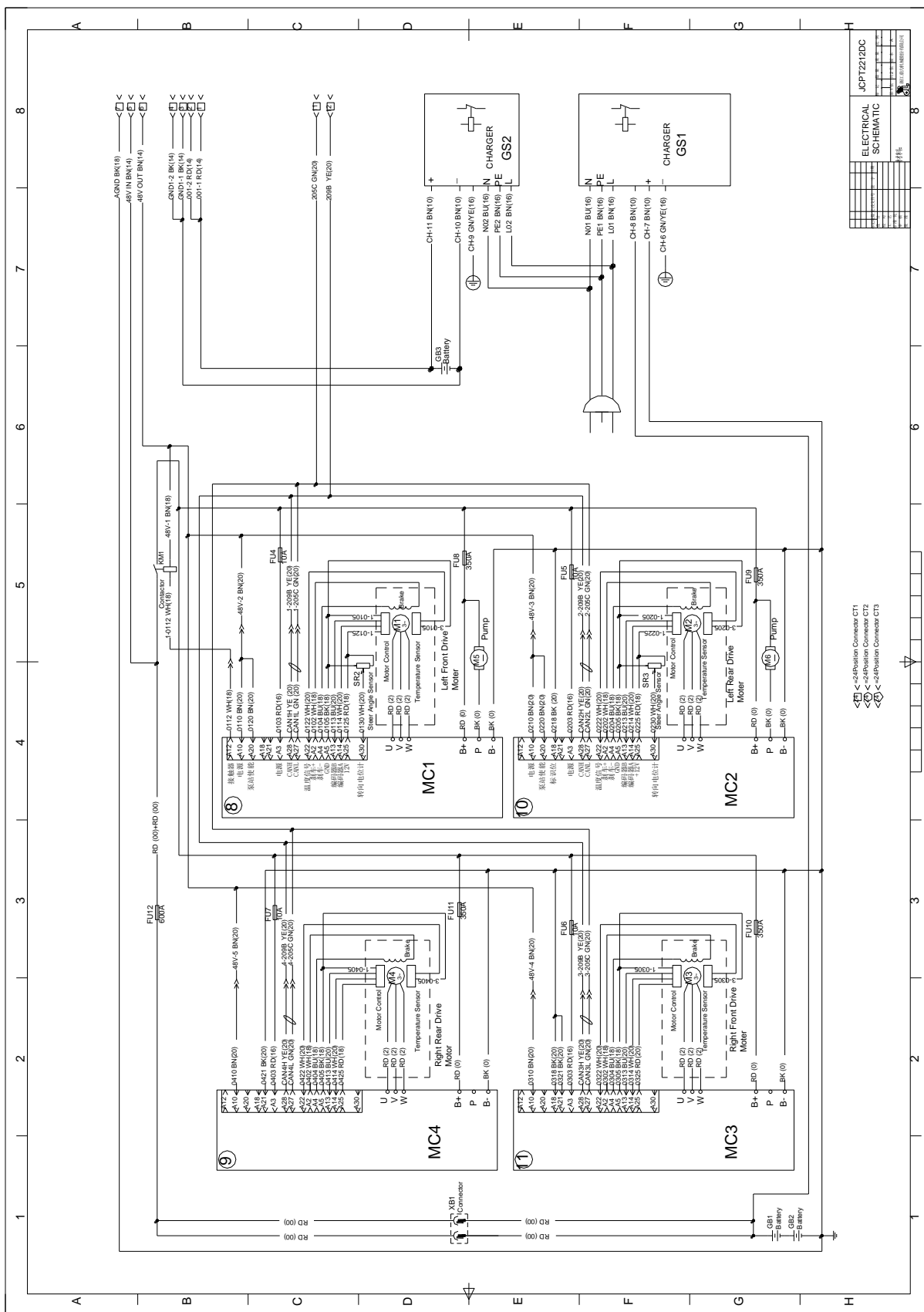
For more information, please consult the appropriate Dingli Service Dept.

Hydraulic Schematic



Schematic

Electrical Schematic



Schematic

